



# Renusol

Solar Mounting Systems

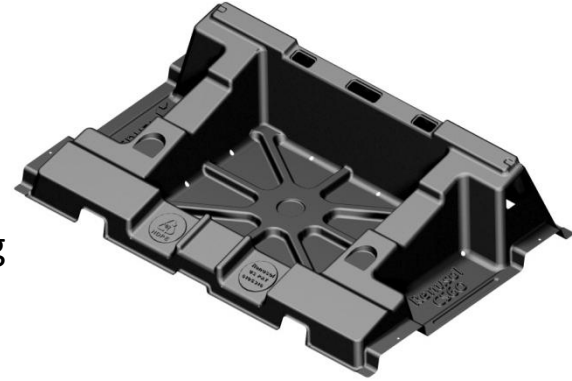
---

*From visions to solutions*

# Renusol **CS60** Flat Roof System

---

- One piece mounting system at available in 10° or 15° tilt
- Made from High Molecular Weight Polyethylene (HMWPE)
  - Excellent impact resistance
  - Not electrically conductive. Only PV modules need grounding
  - 2.5% carbon for UV resistance
  - 100% recyclable at end of life
- Product Kits: The Renusol CS60 kits allow for easier staging on and off site
  - Ships in packs of 10 count or 60 count; up to 2040 pieces per truckload
  - Light weight, stackable units make system cost-effective to ship and store
- Most comprehensive wind tunnel testing (up to 150 mph) for the U.S. market
- Installed in over 30 states Nationwide.
- 100% engineered and made in AMERICA!



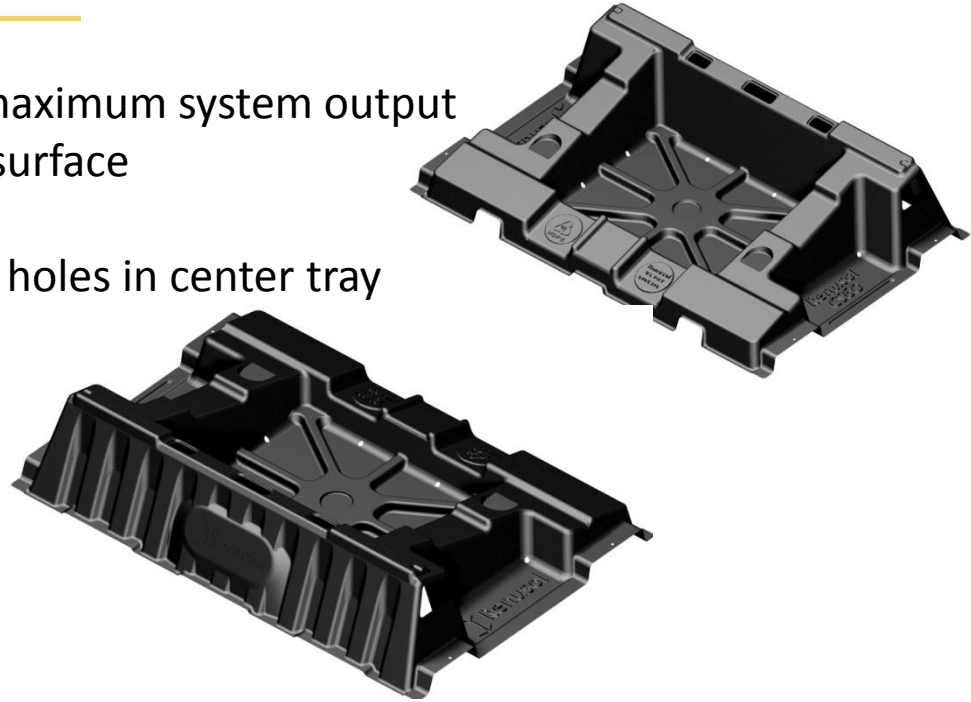
# Renusol **CS60** Easy Engineering, Install and Inventory

- 1 Renusol CS60 = 1 PV Module; simplifies engineering and budgeting of projects
- Accommodates all aluminum framed module sizes ranging from:
  - Up to 1020mm in width and up to 1685mm in length
- Installs quickly and requires less labor/training



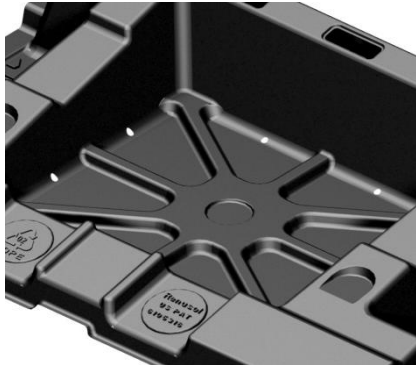
# Renusol CS60 15° Tilt Advantages

1. 15° tilt meets customer demand for maximum system output
2. Evenly distributes weight across roof surface
3. Customizable to roof pressure limits
4. Enclosed ballast tray with water drain holes in center tray
5. Stackable, easy to move and ship
6. Integrated air foil minimizes ballast
7. Recyclable



## Feature Close-Up

Enclosed Ballast Tray  
With Water Drain Holes



Integrated Air Foil



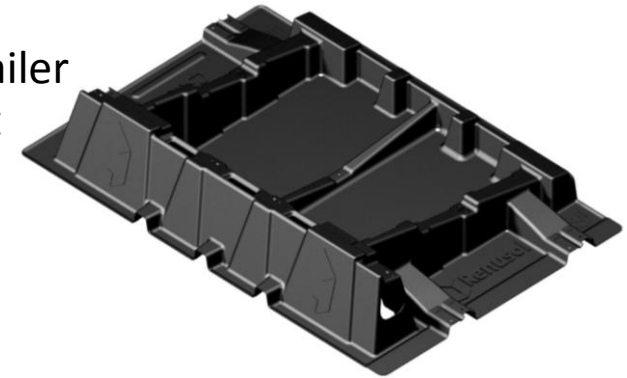
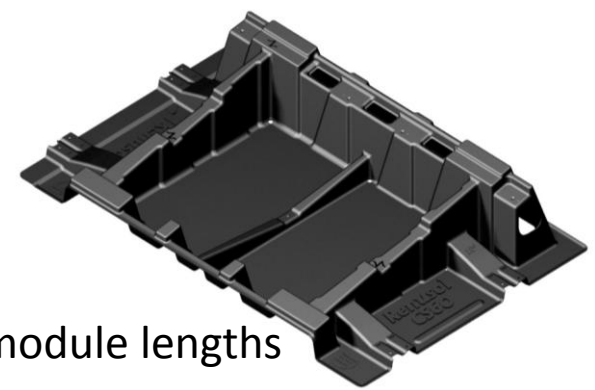
Stackable And Easy To Ship



*From visions to solutions*

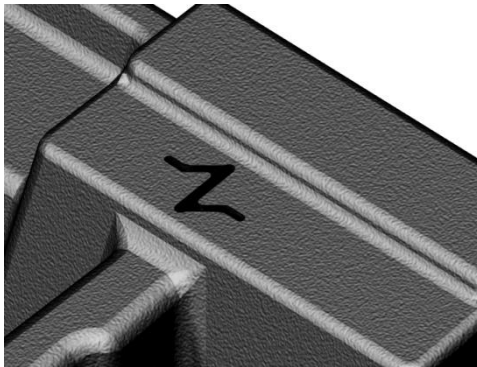
# Renusol CS60 10° Tilt Advantages

1. 10° tilt meets customer demand for greater roof density
2. Easier access for fastening on south side
3. Two East-West connection options accommodate more module lengths
4. Dimples define micro-inverter mounting hole positions
5. Proprietary “Z” wire management
6. Narrower width to fit 2-wide on standard shipping trailer
7. 10° offers all the same advantages of the 15° product as well as all of the above

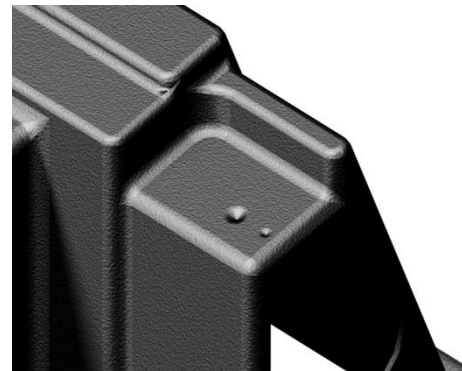


## Feature Close-Up

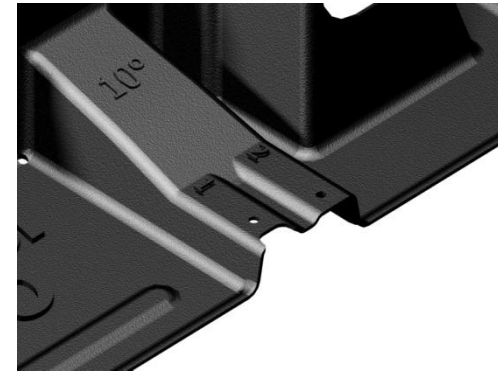
“Z” Wire Management



Microinverter Dimples



Adjustable East/West Connection



*From visions to solutions*