

New Zero Tolerance  
Greater Field Performance

<http://www.wholesalesolar.com/solar-panels.html>



# 215 WATT

HIGH EFFICIENCY MULTICRYSTAL  
PHOTOVOLTAIC MODULE



**KD215GX-LPU**

NEC 2008 Compliant

UL1703, Class C

IEC 61215



## CUTTING EDGE TECHNOLOGY

As a pioneer with 35 years in solar, Kyocera demonstrates leadership in the development of solar energy products. Kyocera's *Kaizen* Philosophy, commitment to continuous improvement, is shown by repeatedly achieving world record cell efficiencies.

Kyocera Quality Built In:

- New frame technology allows for end mounting with 2400 Pa (50 psf) or wind speeds of 130 mph (ASTM E1830) and traditional mounting with 5400 Pa (113 psf) to support increased snow load
- UV stabilized, aesthetically pleasing black anodized frame
- Supported by major mounting structure manufacturers
- Easily accessible grounding points on all four corners for fast installation
- Proven junction box technology
- Quality locking plug-in connectors to provide safe & quick connections

Kyocera manufactures and assembles solar cells and modules at its own worldwide production sites using a true vertical integration process. This superior approach gives Kyocera complete control over every step of the manufacturing process, producing modules with the industry's tightest power tolerance, promising high quality and efficiency.

- Superior Built-In Quality
- Proven Superior Field Performance
- Tight Power Tolerance
- 20 Year Warranty
- 5 Year Workmanship Warranty



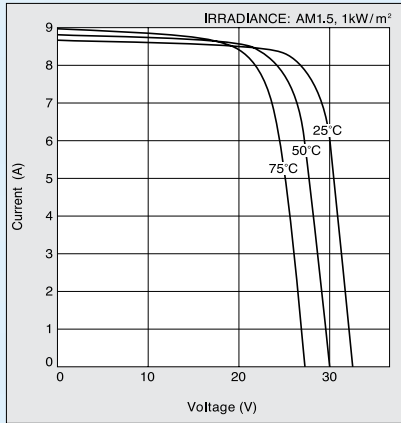
<http://www.wholesalesolar.com/solar-panels.html>

**SOLAR** by KYOCERA

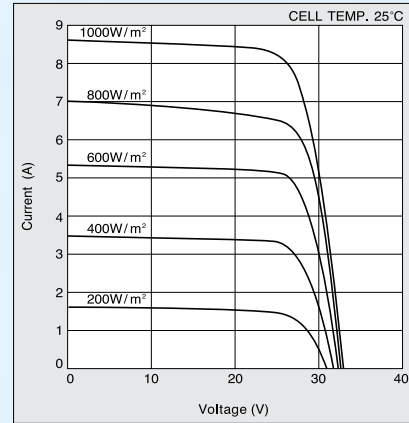
# KD215GX-LPU

**ELECTRICAL CHARACTERISTICS** <http://www.wholesalesolar.com/solar-panels.html>

Current-Voltage characteristics of Photovoltaic Module KD215GX-LPU at various cell temperatures



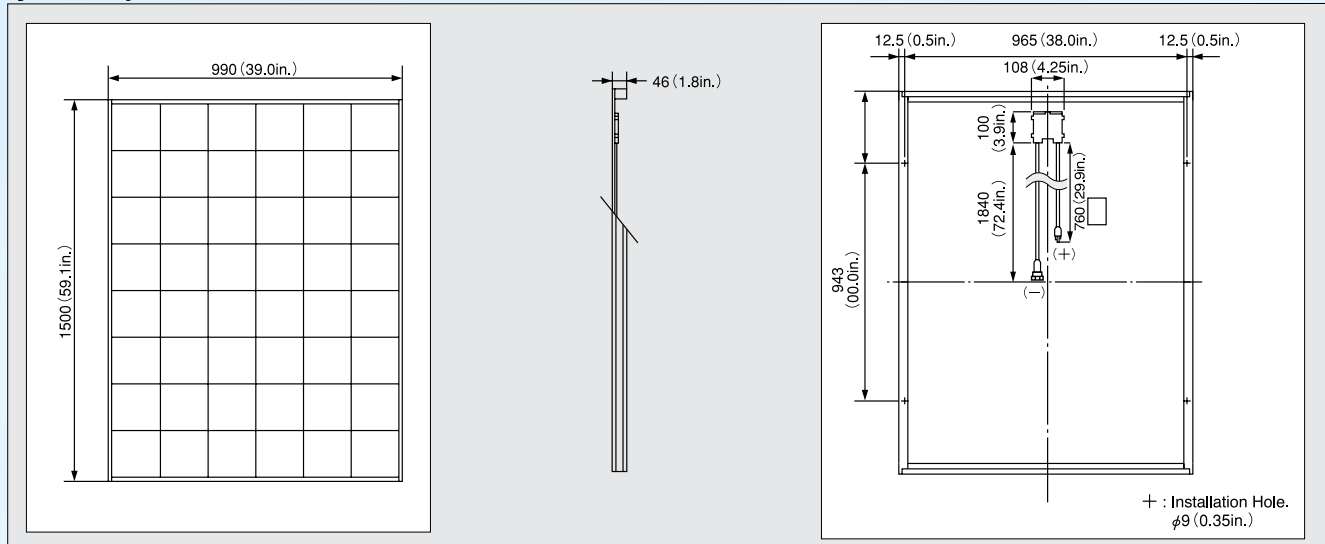
Current-Voltage characteristics of Photovoltaic Module KD215GX-LPU at various irradiance levels



## SPECIFICATIONS

### Physical Specifications

Unit : mm (in.)



### Specifications

#### Electrical Performance under Standard Test Conditions (\*STC)

Maximum Power (Pmax)	215W (+5W/-0W)
Maximum Power Voltage (Vmpp)	26.6V
Maximum Power Current (Impp)	8.09A
Open Circuit Voltage (Voc)	33.2V
Short Circuit Current (Isc)	8.78A
Max System Voltage	600V
Temperature Coefficient of Voc	-1.20×10 <sup>-1</sup> V/°C
Temperature Coefficient of Isc	5.27×10 <sup>-3</sup> A/°C

\*STC : Irradiance 1000W/m<sup>2</sup>, AM1.5 spectrum, cell temperature 25°C

#### Electrical Performance at 800W/m<sup>2</sup>, \*NOCT, AM1.5

Maximum Power (Pmax)	152W
Maximum Power Voltage (Vmpp)	23.6V
Maximum Power Current (Impp)	6.47A
Open Circuit Voltage (Voc)	30.0V
Short Circuit Current (Isc)	7.12A

\*NOCT (Nominal Operating Cell Temperature) : 47.9°C

#### Cells

Number per Module	54
-------------------	----

#### Module Characteristics

Length × Width × Depth	1500mm(59.1in)×990mm(39.0in)×46mm(1.8in)
Weight	18kg(39.7lbs.)
Cable	(+)760mm(29.9in), (-)1840mm(72.4in)

#### Junction Box Characteristics

Length × Width × Depth	100mm(3.9in)×108mm(4.3in)×15mm(0.6in)
IP Code	IP65

#### Others

*Operating Temperature	-40°C ~ 90°C
Maximum Fuse	15A

\*This temperature is based on cell temperature.

ISO 9001 and ISO 14001 Certified and Registered

[www.kyocerasolar.com](http://www.kyocerasolar.com)

800-223-9580 toll free 800-523-2329 fax

<http://www.wholesalesolar.com/solar-panels.html>

