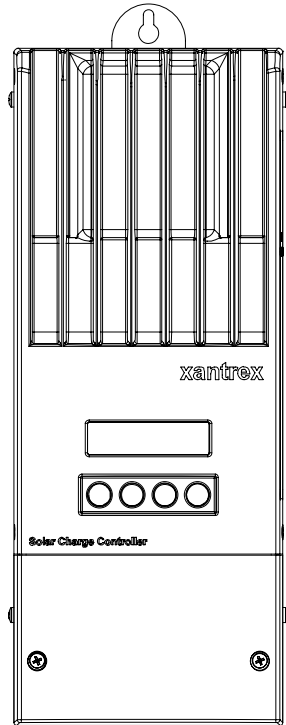


Smart choice for power

xantrex



XW-MPPT60-150

Owner's Manual

XW Series Solar Charge Controller

www.xantrex.com

XW Series Solar Charge Controller

Owner's Guide

About Xantrex

Xantrex Technology Inc. is a world-leading supplier of advanced power electronics and controls with products from 50 watt mobile units to one MW utility-scale systems for wind, solar, batteries, fuel cells, microturbines, and backup power applications in both grid-connected and stand-alone systems. Xantrex products include inverters, battery chargers, programmable power supplies, and variable speed drives that convert, supply, control, clean, and distribute electrical power.

Trademarks

Xantrex is a registered trademark of Xantrex International.

Other trademarks, registered trademarks, and product names are the property of their respective owners and are used herein for identification purposes only.

Notice of Copyright

Solar Charge Controller Owner's Manual © April 2007 Xantrex International. All rights reserved.

Exclusion for Documentation

UNLESS SPECIFICALLY AGREED TO IN WRITING, XANTREX TECHNOLOGY INC. ("XANTREX")

(A) MAKES NO WARRANTY AS TO THE ACCURACY, SUFFICIENCY OR SUITABILITY OF ANY TECHNICAL OR OTHER INFORMATION PROVIDED IN ITS MANUALS OR OTHER DOCUMENTATION.

(B) ASSUMES NO RESPONSIBILITY OR LIABILITY FOR LOSSES, DAMAGES, COSTS OR EXPENSES, WHETHER SPECIAL, DIRECT, INDIRECT, CONSEQUENTIAL OR INCIDENTAL, WHICH MIGHT ARISE OUT OF THE USE OF SUCH INFORMATION. THE USE OF ANY SUCH INFORMATION WILL BE ENTIRELY AT THE USER'S RISK; AND

(C) REMINDS YOU THAT IF THIS MANUAL IS IN ANY LANGUAGE OTHER THAN ENGLISH, ALTHOUGH STEPS HAVE BEEN TAKEN TO MAINTAIN THE ACCURACY OF THE TRANSLATION, THE ACCURACY CANNOT BE GUARANTEED. APPROVED XANTREX CONTENT IS CONTAINED WITH THE ENGLISH LANGUAGE VERSION WHICH IS POSTED AT **www.xantrex.com**.

Date and Revision

April 2007 Revision A

Part Number

975-0283-01-01

Product Number

865-1030

Contact Information

Telephone: 1 800 670 0707 (toll free North America)
1 360 925 5097 (direct)

Fax: 1 800 994 7828 (toll free North America)
1 360 925 5143 (direct)

Email: customerservice@xantrex.com

Web: www.xantrex.com

About This Guide

Purpose

The purpose of this Guide is to provide explanations and procedures for installing, configuring, operating, and troubleshooting the XW Series Solar Charge Controller.

Scope

This Guide provides safety guidelines, detailed planning and setup information, procedures for installing the unit, as well as information about operating and troubleshooting the unit. It does not provide details about particular brands of photovoltaic (PV) panels. You need to consult individual PV manufacturers for this information.

Audience

This Guide does not provide sufficient information for anyone but a qualified installer to install this product. Installers should be electricians or technicians fully educated on the hazards of installing electrical equipment. The monitoring and operation information in this manual is intended for anyone who needs to operate the Solar Charge Controller.

Organization

This Guide is organized into five chapters and two appendices.

Chapter 1 describes features and functions of the Solar Charge Controller.

Chapter 2 contains information and procedures to install the Solar Charge Controller.

Chapter 3 contains information and procedures to configure the Solar Charge Controller.

Chapter 4 contains information about the operation of the Solar Charge Controller.

Chapter 5 contains information about identifying and resolving possible problems with systems using a Solar Charge Controller.

Appendix A provides the specifications for the Solar Charge Controller.

Appendix B is a guide to the Charge Controller monitoring and configuration menus on the XW System Control Panel. The System Control Panel may be installed if the Charge Controller is part of a power management system that includes an inverter/charger.

Conventions Used

The following conventions are used in this guide.



WARNING

Warnings identify conditions that could result in personal injury or loss of life.



CAUTION

Cautions identify conditions or practices that could result in damage to the unit or to other equipment.

Important: These notes describe an important action item or an item that you must pay attention to.

Abbreviations and Acronyms

AGM	Absorbed Glass Mat
AWG	American Wire Gauge
BTS	Battery Temperature Sensor
EMC	Electro-Magnetic Compatibility

Related Information

You can find more information about Xantrex Technology Inc. as well as its products and services at www.xantrex.com.

Important Safety Instructions



WARNING

This manual contains important safety instructions that should be followed during the installation and maintenance of this product. *Be sure to read, understand, and save these safety instructions.*

General Safety Instructions

- All electrical work must be done in accordance with local, national, and/or international electrical codes.
- Before installing or using this device, read all instructions and cautionary markings located in (or on) this guide, the unit, the batteries, PV array, and any other equipment used.
- This product is designed for indoor mounting only. Do not expose this unit to rain, snow or liquids of any type.
- To reduce the chance of short-circuits, use insulated tools when installing or working with the unit or any DC source (such as PV, hydro, wind, or batteries).
- Remove all jewelry when installing or working with the unit or any DC source. This will greatly reduce the chance of accidental exposure to live circuits.
- The unit contains more than one live circuit (batteries and PV array). Power may be present at more than one source.
- This product contains no user-serviceable parts.



WARNING: Limitations on use

The Solar Charge Controller is not intended for use in connection with life support systems or other medical equipment or devices..

Battery Safety Information



WARNING

A battery can produce the following hazards to personal safety:

- electrical shock
- burn from high-short-circuit current
- fire or explosion from vented gasses.

Observe proper precautions when working with or around batteries.

- Always wear eye protection, such as safety glasses, when working with batteries.
- Remove all jewelry before working with batteries.
- Never work alone. Have someone assist you with the installation or be close enough to come to your aid when working with batteries.
- Always use proper lifting techniques when handling batteries.
- Always use identical types of batteries.
- Never install old or untested batteries. Check each battery's date code or label to ensure age and type.
- Batteries should be installed in a well-vented area to prevent the possible buildup of explosive gasses. If the batteries are installed inside an enclosure, vent its highest point to the outdoors.
- When installing batteries, allow at least 1 inch of air space between batteries to promote cooling and ventilation.
- NEVER smoke in the vicinity of a battery or generator.
- Always connect the batteries first, then connect the cables to the inverter or controller. This will greatly reduce the chance of spark in the vicinity of the batteries.
- Use insulated tools when working with batteries.
- When connecting batteries, always verify proper voltage and polarity.
- Do not short-circuit battery cables. Fire or explosion can occur.
- In the event of exposure to battery electrolyte, wash the area with soap and water. If acid enters the eyes, flood them with running cold water for at least 15 minutes and get immediate medical attention.
- Always recycle old batteries. Contact your local recycling center for proper disposal information.

Contents

Important Safety Instructions	v
-------------------------------------	---

1 Introduction

Features	1-2
Maximum Power Point Tracking	1-3
Charge Controlling	1-4
Three-Stage Battery Charging	1-4
Bulk Stage	1-4
Absorption Stage	1-5
Float Stage	1-5
Two-Stage Battery Charging	1-6
No Float Stage	1-6
Battery Temperature Compensation	1-7
Equalization Charging	1-7
Auxiliary Output Functions	1-8
Load Control	1-8
Vent Fan	1-8
Alarms	1-8
Automatic PV Array Night Disconnect	1-8

2 Installation

PV Array Requirements	2-2
Array Size	2-2
Array Voltage	2-2
Array Current	2-2
MPPT Voltage Range	2-3
Mounting	2-3
Choosing a Location	2-3
Removing the Wiring Terminals Cover	2-5
Removing Knockouts	2-5
Mounting the Charge Controller	2-7
Grounding	2-8
Wiring	2-9
DC Terminal Connector Locations	2-9
Wire Size and Over-current Protection Requirements	2-9
Current Rating	2-9
Minimum Wire Gauge	2-10
Over-current Protection	2-10

Long-distance wire runs	-2-10
Maximum One-way Distance and Wire Size	-2-11
Connecting the Charge Controller	-2-12
Connecting Multiple Units	-2-14
Aux Output Connections	-2-15
Disconnecting the Charge Controller	-2-16
Network Installation	-2-17
Network Components	-2-17
Ordering Network Components	-2-19
Network Layout	-2-20
Multi-Drop Backbone Layout	-2-20
Daisy Chain Layout	-2-21
Guidelines for Routing the Network Cables	-2-22
Connecting Network Cable Between Multiple Units	-2-22
Multi-Drop Backbone Layout	-2-22
Daisy Chain Layout	-2-23
Installing the Battery Temperature Sensor	-2-24
Commissioning	-2-26
Configuration Screens	-2-26
Commissioning a Single Unit Without a System Control Panel	-2-27
Commissioning Multiple Units Without a System Control Panel	-2-28
Commissioning Units Using a System Control Panel	-2-30

3 Configuration

Configuring the Charge Controller	3-2
Configuration Menus	3-3
Basic and Advanced Menus	3-3
Configuring Battery Characteristics and Battery Charging	3-5
Setting a Custom Battery Type	3-8
Battery Temperature Compensation	3-10
Configuring Charge Controller Input	3-11
Configuring the Auxiliary Output	3-12
Trigger Source Descriptions	3-14
Trigger Source Configurable Ranges	3-15
Configuring the LCD	3-16
Device Menu	3-18
Resetting to Factory Defaults	3-20

4 Operation

Viewing Operating Status	4-2
LCD Screens and What They Mean	4-2
Normal Operation	4-3

Charge Stages	4-5
Dynamic Text	4-6
Monitoring Charge Controller Operation	4-7
Viewing Active Faults and Warnings	4-8
Viewing Logged System Data	4-11
Daily Logs	4-12
Monthly Logs	4-12
Battery Equalization	4-13
5 Troubleshooting	
PV Charge Control Troubleshooting	5-2
Replacing the Ground Fault Protection Fuse	5-3
A Specifications	
Electrical Specifications	A-2
Default Battery Charging Settings	A-2
Mechanical Specifications	A-3
Output Power Versus Ambient Temperature	A-3
Optional Accessories	A-4
Regulatory Approvals	A-4
B XW System Control Panel Menus	
Using the XW System Control Panel	B-2
System Control Panel Menu Map	B-3
Changing Settings Using the System Control Panel	B-5
Viewing the Select Device Menu	B-5
Viewing the Charge Controller Setup Menu	B-5
The Charge Controller Setup Menu	B-6
Configuration Settings	B-7
Monitoring the Charge Controller	B-10
Charge Controller Home Screen	B-10
Meters	B-11
Warranty and Return Information	WA-1
Index	IX-1

1

Introduction

Chapter 1 describes features and functions of the Solar Charge Controller.

For information on:	See:
“Features”	page 1–2
“Maximum Power Point Tracking”	page 1–3
“Charge Controlling”	page 1–4
“Auxiliary Output Functions”	page 1–8
“Automatic PV Array Night Disconnect”	page 1–8

Features

The Xantrex Solar Charge Controller is a photovoltaic (PV) charge controller that tracks the maximum power point of a PV array to deliver the maximum available current for charging batteries. The Charge Controller can be used with 12-, 24-, 36-, 48-, and 60-volt DC battery systems.

The Solar Charge Controller is designed to regulate PV input, but will also work with other DC sources. The DC source must meet the specifications listed on page A-2.

The Charge Controller can be installed (in single or multi-unit configurations) with a Xantrex XW Series Inverter/Charger or in a stand-alone installation.

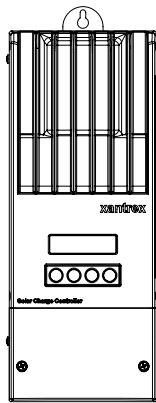


Figure 1-1 Charge Controller

Standard features of the Solar Charge Controller include:

- Two- or three-stage charging process, with manual equalization to maximize system performance and maintain expected battery life.
- True dynamic Maximum Power Point Tracking (MPPT) to deliver the maximum available power from a PV array to a bank of batteries. See “Maximum Power Point Tracking” on page 1-3.
- Integrated PV Ground Fault Protection (PVGFP)
- Convection cooled (no internal or external fan) using aluminum die-cast chassis and heat sink
- 60 amp capacity
- 150 volt open circuit input voltage
- Configurable auxiliary output. See “Auxiliary Output Functions” on page 1-8.
- Two-line, 16-character liquid crystal display (LCD) and four buttons for configuration and system monitoring.
- Input over-voltage and under-voltage protection, output over-current protection, and backfeed (reverse current) protection. Warning and Fault messages appear on the LCD when the unit shuts down as a protective measure.

- Over-temperature protection and power derating when output power and ambient temperature are high.
- Battery Temperature Sensor (BTS) to provide automatically temperature-compensated battery charging. If the BTS is lost or damaged, a replacement can be ordered from Xantrex (part number 808-0232-02).
- Xanbus[®]-enabled. Xanbus is a network communications protocol developed by Xantrex. The Charge Controller is able to communicate its settings and activity to other Xanbus-enabled devices, such as the XW Series Inverter/Charger, the XW System Control Panel (SCP), XW Automatic Generator Start (XW-AGS), and other XW-MPPT60-150 Solar Charge Controllers.
- Five-year limited warranty.

Maximum Power Point Tracking

Maximum Power Point Tracking allows the Charge Controller to harvest the maximum energy available from the PV array and deliver it to the batteries.

The MPPT algorithm continuously adjusts the operating points in an attempt to find the maximum power point of the array. The algorithm can then determine if it is harvesting more or less power than the previous operating points.

The Charge Controller applies a variable load on the array—shown by the power curve (solid line) in Figure 1-2—until it finds the maximum wattage (the point at which both operating voltage and current can be maximized at the same time), as indicated by “MPP” in Figure 1-2. The Charge Controller then holds the array at this point for as long as the array continues to produce the maximum power possible. As panel shading, cloud cover, and sunlight angle shift, the Charge Controller finds the new maximum power point without interrupting its output power flow.

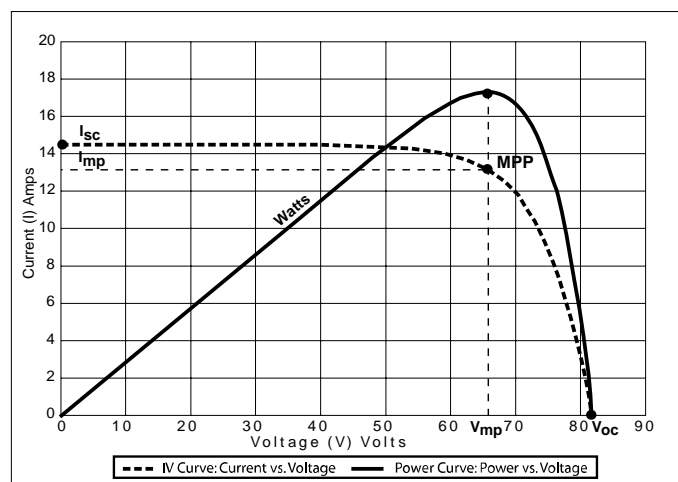


Figure 1-2 Maximum Power Point Curve

Charge Controlling

The Charge Controller can regulate PV array current at 12, 24, 36, 48 or 60 volts DC for charging batteries. It produces up to 3500 watts and 60 amps of charging current for all battery voltages except 60 V.



Figure 1-3 PV Charge Controller

The Charge Controller controls how the batteries are charged by the DC source (the PV array). It can be configured to use a two-stage (“No Float”) or three-stage charging process to maintain battery voltage at bulk or float levels.

When charging, the Charge Controller regulates the battery voltage and the output current based on the amount of DC power available from the PV array and the state of charge of the battery.

The Charge Controller is able to charge a lower nominal-voltage battery from a higher-nominal voltage array. For example, the Charge Controller can charge a 12-volt battery from a 36-volt array. This gives flexibility to installers to use longer wiring runs without compromising efficiency on a higher-voltage array.

The Charge Controller is not able to charge a higher-voltage battery from a lower-voltage array.

Three-Stage Battery Charging

The three-stage charging process results in more efficient charging compared to on-off relay type or constant voltage solid-state regulators. The final float stage reduces battery gassing, minimizes electrolyte loss, and ensures complete battery recharging. Battery voltage and current vary during the three-stage charging process as shown in Figure 1-4 on page 1-5.

Bulk Stage

During the bulk stage, the Charge Controller sets its voltage limit to the bulk voltage setting. If the batteries are discharged, the Charge Controller operates in constant current mode, delivering its maximum current to the batteries. When the battery voltage reaches the Float voltage setting, the controller will transition to the absorption stage.

Absorption Stage

During the absorption stage, the Charge Controller continues to deliver its maximum available current output until the battery voltage reaches the absorption voltage setting. The Charge Controller then operates in constant voltage mode, holding the battery voltage at the absorption voltage setting for a pre-set time limit (the default time limit is three hours). During this time, current falls gradually as the battery capacity is reached. The Charge Controller transitions to the float stage if any one of three criteria are met:

1. The charge current allowed by the batteries falls below the exit current threshold, which is equal to 2% of battery capacity (for a 500 Ah battery bank, this would be 10 A), for one minute.
2. The battery voltage has been at or above the float voltage (which it reached during the bulk stage) for eight hours.
3. The battery voltage has been at the bulk/absorption voltage setting for a pre-set time limit (the Max Absorb Time).

Float Stage

During the float stage, the voltage of the battery is held at the float voltage setting. Full current can be provided to the loads connected to the battery during the float stage from the PV array. When battery voltage drops below the ReCharge Volts setting for 1 minute, a new bulk cycle will be triggered.

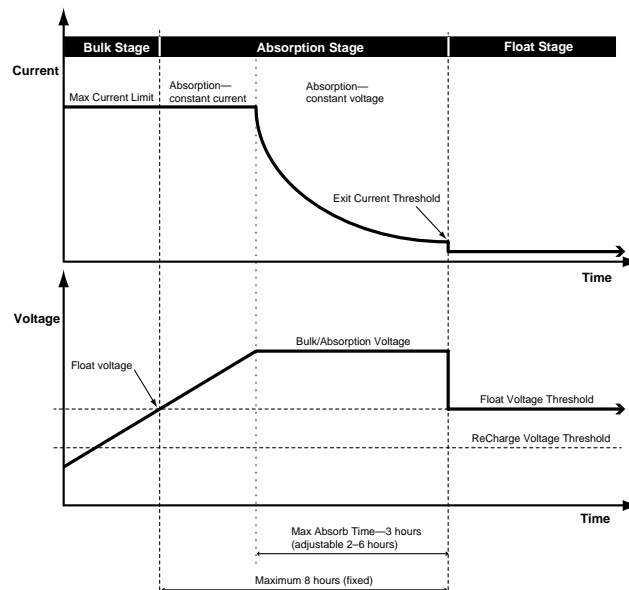


Figure 1-4 Three-stage Battery Charging Cycle^a

a. An actual charging cycle for a PV-based system that is in use while it is being charged will likely differ from the cycle represented in Figure 1-4. This is because a PV system's output is limited by the amount of solar energy available, and also because DC loads will affect the charge current and the measured battery voltage.

Two-Stage Battery Charging

The two-stage charging process includes the bulk and absorption stages, but uses a “No Float” stage instead of “Float.” Two-stage charging is recommended for off-grid applications, where batteries are used more frequently and maintaining them at the float voltage is both less important and less practical. Two-stage charging can extend the life of most batteries. The relationship between charging current and battery voltage during the two-stage charging process is shown in Figure 1-5.

No Float Stage

During the No Float stage the Charge Controller does not produce any charge current. Instead the Charge Controller monitors the battery voltage and transitions back to the bulk stage once the voltage drops below the ReCharge Volts setting for one minute.

Note: For more information about battery charging settings, see Table 3-2, “Battery Menu Values” on page 3-7 and Table 3-3, “Custom Battery Menu Values” on page 3-10.

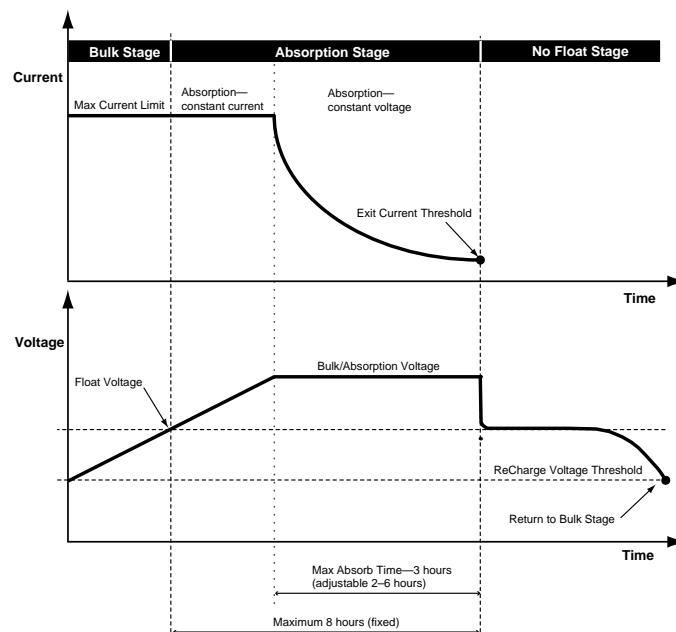


Figure 1-5 Two-Stage Battery Charging Cycle

Battery Temperature Compensation

The Battery Temperature Sensor (BTS) automatically adjusts the charging process of the Charge Controller. With the BTS installed, the Charge Controller increases or decreases the battery charging voltage depending on the temperature of the battery to optimize the charge to the battery and to protect it from over-charge or damage. Using the BTS can extend battery life and improve overall charging.

The BTS plugs into the BTS jack located inside the wiring compartment of the Charge Controller. The BTS can be installed on the negative battery post or on the side of the battery.

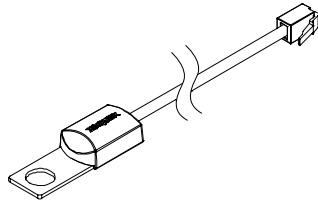


Figure 1-6 Battery Temperature Sensor

If the BTS is not installed, the voltage settings for charging are based on one of three temperature settings (Cold, Warm, or Hot) available on the Charge Controller configuration menu. See “Configuring Battery Characteristics and Battery Charging” on page 3–5.

Only one BTS is required if multiple Charge Controllers or a complete XW Power System with XW Inverter/Chargers are networked together using Xanbus. All networked XW Series devices share battery temperature information, and the BTS can be connected to a Charge Controller or an XW Inverter/Charger.

Equalization Charging

The Charge Controller can be used to provide the battery bank with an equalize charge.

Equalization is a deliberate overcharge designed to return each battery cell to optimum condition by reducing sulfation and stratification in the battery. The equalization charge is generally performed only on flooded, vented (non-sealed or “wet”) lead-acid batteries, as recommended by the battery manufacturer.

To avoid damaging your batteries, be sure to read all cautions and warnings concerning equalization charging. For more information, see “Battery Equalization” on page 4–17.

Important: The Charge Controller maximum output voltage is limited to 72 V for a 60 V battery system, which is the bulk voltage setting for 60 V batteries. Because of this output limit, the Charge Controller does not equalize 60 V batteries.

Auxiliary Output Functions

The Charge Controller has a configurable auxiliary output (producing 5 to 13 volts and up to 200 milliamps) to drive a relay for load control or to turn on devices such as vent fans or indicator alarms. The auxiliary output can be configured to perform only one function at a time.

See “Configuring the Auxiliary Output” on page 3–14 for information about auxiliary output trigger sources and how to enable and configure the auxiliary output for your application.



CAUTION

The auxiliary output is intended only to energize a low-current circuit such as a relay coil. Connection to a high-amperage device will open the fuse in the common line and possibly damage the unit.

Load Control

The Charge Controller auxiliary output can be configured to drive a relay to disconnect or reconnect loads depending on battery voltage. This load control function enables the Charge Controller to help prevent damage to the battery from over-discharge during periods of poor charging (due to ambient temperature, for example) or excessive loads.

Vent Fan

The Charge Controller auxiliary output can be configured to power a small DC fan to clear a battery compartment of harmful gases. The Charge Controller auxiliary output must be configured to activate when the batteries reach their gassing voltage.

Alarms

The auxiliary output can be configured to trigger an alarm or indicator light when a pre-set condition occurs, such as low or high battery voltage, high PV array voltage, or a Charge Controller fault.

Automatic PV Array Night Disconnect

At night, or when the PV array voltage is less than the battery voltage, the Charge Controller opens an internal relay to prevent battery current from flowing back to the PV array. In this mode of operation the Charge Controller draws minimal power from the battery.

This automatic night-time disconnect eliminates the need for a blocking diode between the battery and the PV array. If the PV array consists of thin-film or amorphous solar modules, diodes may still be required to prevent damage during times of partial shading of the array. Check the documentation provided with the PV modules.

2

Installation

Chapter 2 contains information and procedures to install the XW Series Solar Charge Controller.

For information on:	See:
“PV Array Requirements”	page 2-2
“Mounting”	page 2-3
“Grounding”	page 2-8
“Wiring”	page 2-9
“Installing the Battery Temperature Sensor”	page 2-24
“Commissioning”	page 2-26

PV Array Requirements

Each Charge Controller must be connected to its own PV array. For optimum performance, each individual array must be composed of the same type of solar panel, with the same V_{oc} and V_{mpp} specifications.

Note: The following information provides only general guidelines. The installation and rated performance of your PV array is subject to inspection and approval by the authority having jurisdiction.

Array Size

For PV array sizing guidelines, use the XW Solar Charge Controller PV array sizing tool accessible from www.xantrex.com/support.

Although the Solar Charge Controller can harvest a maximum of 3500 W, the PV array size can be as high as 6720 W (based on $48\text{ A} \times 140\text{ Vdc} = 6720\text{ W}$).

Array Voltage



CAUTION: Equipment damage

The PV array voltage must never exceed 150 V_{oc} (open circuit voltage) under any conditions.

The maximum V_{mpp} (PV array voltage for Charge Controller MPPT operation) is 140 Vdc. The difference between V_{mpp} and V_{oc} is shown in Figure 1-2 on page 1–3.

When calculating PV array size for the Solar Charge Controller you should consider the expected V_{oc} of the array under all possible conditions. Panel voltage increases with decreasing temperature. The array needs to be sized so that 150 Vdc does not occur, even at the lowest expected panel temperature during open circuit. The panel manufacturer provides a V_{oc} rating per panel, but it is usually rated at 25 °C (77 °F).

Array Current

Important: The I_{sc} (short circuit current) rating of the array must not exceed the 60 A input current rating of the Charge Controller at any time.

Panels rated up to 48 A at 25 °C (77 °F) are recommended to allow for increases in I_{sc} at low panel temperatures and at solar noon. Ensure that the I_{sc} rating under all conditions does not exceed 60 A. A factor of 1.25 is applied to the rated I_{sc} at 25 °C when the panel is colder than -21 °C.

MPPT Voltage Range

The Charge Controller maximum power point tracking algorithm maximizes the output energy of PV arrays as long as the operating voltage is within the MPPT operational window. Ensure that the PV array used in the system operates within the MPPT operational window.

Effects of array voltages outside of the MPPT operational window are shown in Table 2-1.

Table 2-1 MPPT Operational Window

Voltage	Effect of Array Voltage	Charge Controller Mode
$V_{oc} < V_{batt}$ (system battery voltage)	Charge Controller not operating.	Low Light
$V_{MPP} < V_{batt}$	Harvest of solar energy less than optimal.	Charging
$V_{MPP} = V_{batt}$ to 120 Vdc	Maximum harvest of solar energy.	Charging (MPPT window)
$120 \text{ Vdc} < V_{MPP} < 140 \text{ Vdc}$	Charge Controller reduces the output current limit to protect the unit from voltage spikes.	Input voltage derating
$V_{MPP} > 140 \text{ Vdc}$ (or $V_{oc} > 140 \text{ Vdc}$)	Charge Controller shuts down. Unit may be damaged if $V_{oc} > 150 \text{ V}$.	Over-voltage fault

Mounting

The instructions in this chapter are applicable to the typical stand-alone installation. Installation procedures will vary according to your specific application. For special applications, consult a qualified electrician or your Xantrex Certified Dealer.

If installing the Charge Controller as part of an XW System, see the *XW Power System Installation Guide* for additional information.

Important: *Installations must be compliant with all local electrical codes.* Installation of this equipment should only be performed by a qualified electrician or by a Certified Renewable Energy (RE) System installer.

Choosing a Location

The Charge Controller must be mounted vertically and installed indoors in a dry, protected location away from flammable materials, sources of high temperature, moisture, and vibration. The location must also be sheltered from direct sunlight, rain, snow, and wind-blown debris.



CAUTION: Equipment damage

Never install the Charge Controller where it is exposed to salt water spray. Exposure to salt water will void the warranty and may cause a shock hazard.



WARNING: Explosion/corrosion hazard

To reduce the risk of fire or explosion, do not install the Charge Controller in sealed compartments containing batteries or in locations that require ignition-protected equipment.

To reduce the risk of corrosion from hydrogen-sulfide gas vented by batteries, do not install the Charge Controller in sealed compartments containing batteries.

If using “sealed” batteries, the Charge Controller can be mounted in the same enclosure as long as it is adequately ventilated.

For optimal and safe operation, ensure there is adequate clearance around the Charge Controller. See Table 2-2 and Figure 2-1. If clearances are reduced below these minimums, rated performance may not be achieved.

Table 2-2 Minimum Clearance Requirements

Location	Minimum Clearance
Above	150 mm (6 inches). When units are mounted in a vertical stack, the topmost unit must maintain the minimum clearance to the nearest surface. Note: Minimum clearances can be ignored when mounting two units on the side of the XW Power Distribution Panel (part number 865-1015). For more information, see the <i>XW Power System Installation Guide</i> , available with the XW Hybrid Inverter/Charger. Other installations must follow the guidelines in this Owner’s Guide.
In front	Sufficient room to allow for easy access to read the display, to prevent accidental contact with the heat sink, and to perform maintenance.
On sides	150 mm (6 inches) on at least one side of the overall assembly. A maximum of two units can be mounted side by side or side mounted against an XW Power Distribution Panel. In both configurations, the minimum clearance around the outermost unit must be maintained.

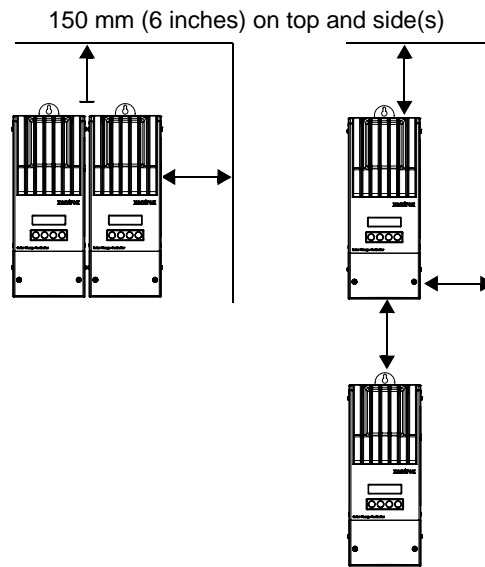


Figure 2-1 Minimum Clearance Requirements

Removing the Wiring Terminals Cover

Before mounting, remove the wiring terminals cover to access the mounting holes and the wiring terminals. The wiring terminals cover is secured with two Phillips #8-32 \times 2 1/2-inch screws on the front cover of the unit. See Figure 2-2.

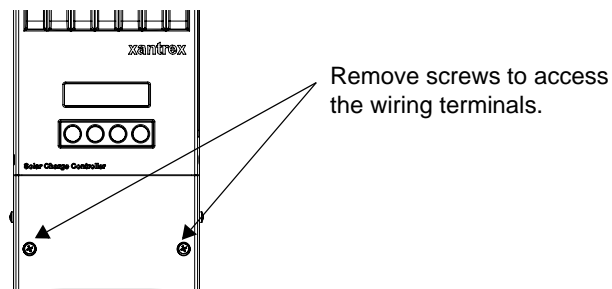


Figure 2-2 Removing the Wiring Terminals Cover

Removing Knockouts

Six dual and two single knockouts are provided for routing battery, PV array, BTS, and network cables into the Charge Controller. Use bushings or conduits to protect the wiring from damage from rough edges around the knockout holes.

When removing knockouts, ensure that no metal shavings or fragments fall into the wiring compartment.

Important: Do not drill, cut, or punch holes in the Charge Controller. Use only the knockouts provided for conduit entry.

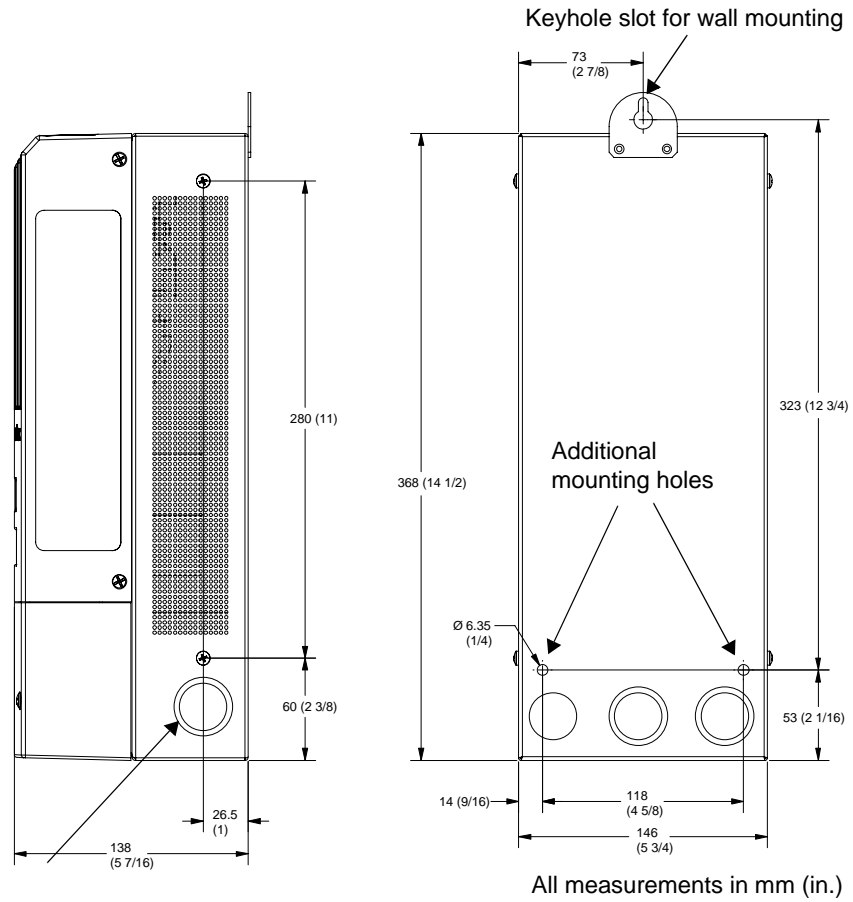


Figure 2-3 Dimensions and Knockout Locations

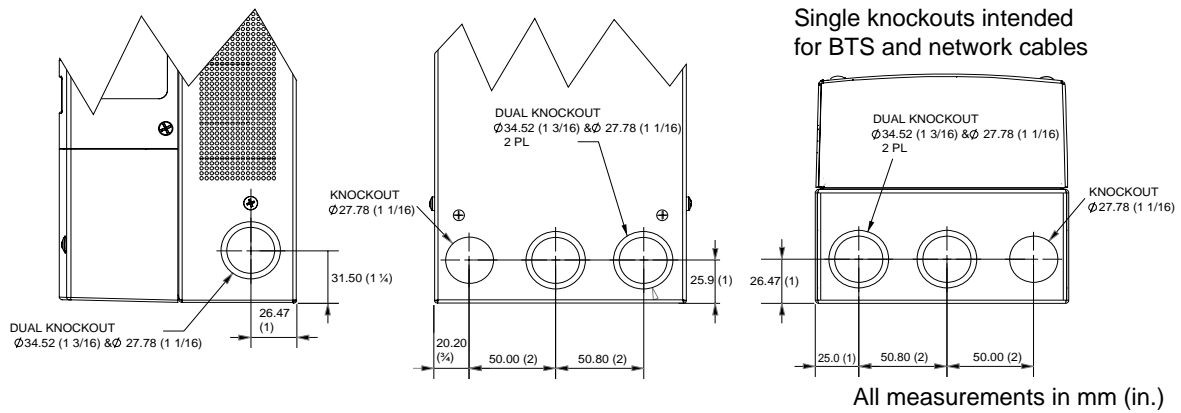


Figure 2-4 Knockout Dimensions

Mounting the Charge Controller

The Charge Controller is vertically mounted using three #10 × ½-inch or #12 × ½-inch pan-head screws.

To mount the Charge Controller:

1. Remove the wiring terminals cover.
2. Mark the location of the keyhole slot on the wall.
3. Secure the top mounting screw in the location marked. Leave the screw head backed out approximately ¼ inch (6 mm).
4. Place the controller onto the screw and pull it down into the keyhole slot.
5. Insert two screws in the two mounting holes provided to secure the unit to the wall.
6. Provide strain-relief clamps or conduit to prevent damage to the circuit board and terminal block from pulling on the wires.

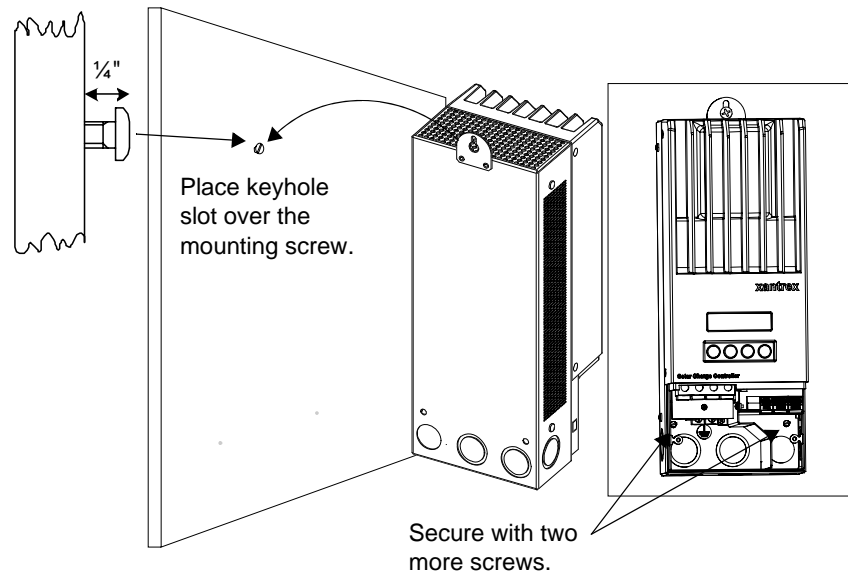


Figure 2-5 Mounting the Solar Charge Controller

Grounding

The Charge Controller is designed to work only with negative-grounded electrical systems. Grounding for both PV and battery circuits is provided inside the wiring compartment. Each ground connection can accommodate up to #6 AWG wire size.

A fuse rated at 1 A, 600 V (accessible from inside the wiring compartment) grounds the negative conductor of the PV array and provides PV ground-fault protection (PV-GFP). Replace with Littelfuse KLKD 1 or equivalent.

Important: Only one Charge Controller is to have the PV-GFP fuse installed in installations with multiple parallel Charge Controllers. Before mounting and connecting the Charge Controllers, remove the PV-GFP fuse from each unit except one.



WARNING: Shock hazard

Do not connect the battery negative to ground. NEC requirements specify that the battery negative ground must be done only through the 1A PV-GFP fuse. Bonding the battery negative to ground disables PV ground-fault protection and causes improper unit operation. The battery compartment must only be grounded if it is metal. See Figure 2-9 on page 2-13 for correct routing of the battery negative.

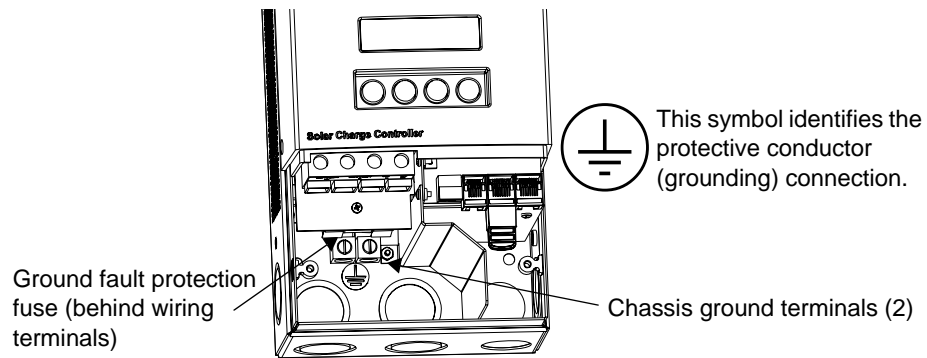


Figure 2-6 Charge Controller Safety Ground Connector



WARNING: Shock and fire hazard

Fuses must only be replaced by qualified service personnel, such as a certified electrician or technician. For continued protection against risk of fire, replace only with the same type and rating of fuse.



WARNING: Shock hazard

Disconnect PV and battery circuits before removing the grounding connections or before removing or installing the PV-GFP fuse. Wait at least 5 minutes for the internal circuitry to discharge before servicing the unit.

Wiring

Important: *Installations must meet all local electrical codes.* Installations of this equipment should only be performed by a qualified electrician or a Certified Renewable Energy (RE) System Installer.



WARNING: Shock hazard

Disconnect PV and battery circuits before wiring.

DC Terminal Connector Locations

Terminal connectors for DC wiring are located inside the wiring compartment. The labels above the DC wiring terminals and inside the wiring compartment identify all the connection points. See Figure 2-7.

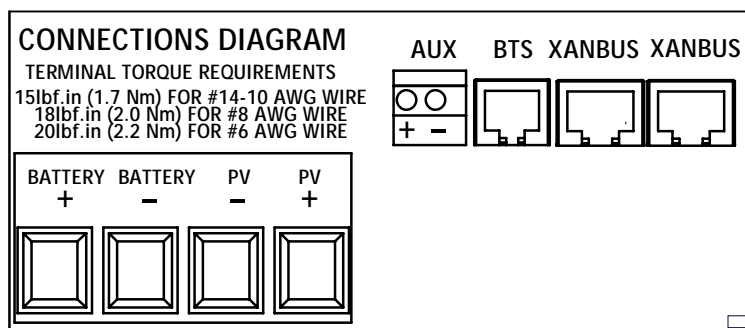


Figure 2-7 DC Connection Terminals

Wire Size and Over-current Protection Requirements

The wiring, over-current protection devices (fuses and circuit breakers), and installation methods used must conform to all national and local electrical code requirements.

Wiring must be protected from physical damage with conduit or a strain relief clamp.

To preserve signal integrity on communication cables, the BTS, auxiliary output, and network cables must pass through a different conduit than the conduits used for PV wiring and battery cables. You should pull the BTS cable through the conduit first as the connector may not fit if other wires have been pulled first.

Current Rating

The Charge Controller PV input is rated for 60 A maximum I_{sc} . Since PV outputs can vary due to the array size or sunlight angle, the safe minimum wire size must be chosen for maximum array short-circuit current. Consult PV array manufacturer specifications.

Minimum Wire Gauge

For installations where the PV array output is the maximum allowable 60 A I_{sc} , the minimum allowable wire gauge is #6 AWG (13.3 mm²) copper wire with a 90 °C (194 °F) insulation rating. This wire gauge is determined by electrical code requirements regarding conduit knockout sizes, wire bending radius, and space available within the Charge Controller wiring compartment.

No crimp-on terminals or lugs are required.

Over-current Protection

Over-current protection must be installed to protect the Charge Controller from short circuits and to provide a means of disconnecting the Charge Controller.

Battery Circuit

The NEC requires the battery circuit to be protected with a device rated for 125% of the rating of the circuit. The DC-rated fuse or circuit breaker between the battery and the Charge Controller must have a maximum size of 1.25×60 A (the maximum current rating of the Charge Controller). That is, the fuse or circuit breaker must be rated equal to or above 75 A.

PV Circuit

A PV disconnect device between the PV array and the Charge Controller must be rated for the I_{sc} of the array but will not exceed the 60 A rating.

Long-distance wire runs

If there is a significant distance between the PV array and the Charge Controller or between the Charge Controller and the battery, larger wires can be used to reduce the voltage drop and improve performance. Refer to Table 2-8.



WARNING: Equipment damage

Do not connect an array capable of delivering over 60 A I_{sc} to the Charge Controller. Wires larger than #6 AWG can be used only to reduce power loss in the wiring.

To use a larger size wire, use a splicer block (terminal block) approved and rated for this application. This allows the larger cable size from the batteries to be “spliced” to the #6 AWG wire connected to the Charge Controller. The splicer block must be installed outside of the Charge Controller wiring compartment.

Follow manufacturer’s recommendations for torque and mounting. Splicer blocks and split-bolt kerneys are available from renewable energy suppliers.

Maximum One-way Distance and Wire Size

Important: Local and national electrical codes must be followed for determining additional installation requirements.

Larger wire sizes may be used to improve performance, but may not be installed directly into this Charge Controller. Use a splicer block as previously described.

Refer to Table 2-8 and find the maximum current in the left column, and the one-way distance from the PV array to the Charge Controller (or the distance from the Charge Controller to the battery) on the same line, then read the wire size required at the top of the column.

Figure 2-8 One-Way Wire Distance and Wire Size

Maximum one-way wire distance for a < 3% voltage drop assuming 60 Adc charging current

12 Vdc application shown

For 24 Vdc systems, multiply distance by 2

For 36 Vdc systems, multiply distance by 3

For 48 Vdc systems, multiply distance by 4

For 60 Vdc systems, multiply distance by 5

Amps	Distance in feet (meters)				Distance in feet (meters) ^a				
	12 AWG	10 AWG	8 AWG	6 AWG	4 AWG	3 AWG	2 AWG	1 AWG	1/0 AWG
10	8.8 (2.68)	14 (4.27)	22.2 (6.77)	35.3 (10.76)	56.1 (17.10)	70.9 (21.61)	89.6 (27.31)	112.5 (34.29)	141.7 (43.19)
12	7.3 (2.23)	11.6 (3.54)	18.5 (5.64)	29.4 (8.96)	46.7 (14.23)	59.1 (18.01)	74.6 (22.74)	93.7 (28.56)	118.1 (36.00)
14	6.3 (1.92)	10 (3.05)	15.9 (4.85)	25.2 (7.68)	40.1 (12.22)	50.6 (15.42)	64.0 (19.51)	80.4 (24.51)	101.2 (30.85)
16	5.5 (1.68)	8.7 (2.65)	13.9 (4.24)	22.1 (6.74)	35.0 (10.67)	44.3 (13.50)	56.0 (17.07)	70.3 (21.43)	88.6 (27.01)
18	4.9 (1.49)	8.8 (2.38)	12.4 (3.78)	19.6 (5.97)	31.2 (9.51)	39.4 (12.01)	49.8 (15.18)	62.5 (19.05)	78.7 (23.99)
20	4.4 (1.34)	7 (2.13)	11.1 (3.38)	17.6 (5.36)	28.0 (8.53)	35.4 (10.79)	44.8 (13.66)	56.2 (17.13)	70.9 (21.6)
25		5.6 (1.71)	8.9 (2.71)	14.1 (4.30)	22.4 (6.83)	28.3 (8.63)	35.8 (10.91)	45.0 (13.72)	56.7 (17.28)
30		4.7 (1.43)	7.4 (2.26)	11.8 (3.60)	18.7 (5.70)	23.6 (7.19)	29.9 (9.11)	37.5 (11.43)	47.2 (14.39)
35			6.4 (1.95)	10.1 (3.08)	16.0 (4.88)	20.2 (6.16)	25.6 (7.80)	32.1 (9.78)	40.5 (12.34)
40			5.6 (1.71)	8.8 (2.68)	14.0 (4.27)	17.7 (5.39)	22.4 (6.83)	28.1 (8.56)	35.4 (10.79)
45				7.8 (2.38)	12.5 (3.81)	15.7 (4.79)	19.9 (6.07)	25.0 (7.62)	31.5 (9.60)
50				7.1 (2.16)	11.2 (3.41)	14.2 (4.33)	17.9 (5.46)	22.5 (6.86)	28.3 (8.63)
60				6.3 (1.92)	9.3 (2.83)	11.8 (3.60)	14.9 (4.54)	18.7 (5.7)	23.6 (7.19)

a. These wire sizes are not approved to be installed in the controller, but may be used external to the controller (using a splicer block) to reduce voltage drop and improve performance.

Connecting the Charge Controller

The following procedure is illustrated in Figure 2-9.



WARNING: Shock hazard

Whenever a PV array is exposed to light, a shock hazard exists at the output wires or exposed terminals. To reduce the risk of shock during installation, cover the array with an opaque (dark) material before making the connections.



WARNING: Shock hazard

Do not connect the battery negative to ground. Bonding the battery negative to ground disables PV ground-fault protection. See Figure 2-9 on page 2–13 for correct routing of the battery negative.

To connect the Charge Controller:

1. Connect the PV array's positive (+) output to the PV array disconnect.
2. Route another (+) cable from the other end of the PV disconnect to the Charge Controller terminal marked PV +.
3. Connect the PV array's negative (-) output to the Charge Controller terminal marked PV -.
4. Connect a positive (+) cable from the Charge Controller terminal marked BAT + to the battery disconnect.
5. Connect a second positive (+) cable to the other side of the battery disconnect and connect to the positive (+) battery terminal.



CAUTION: Reverse polarity damage

Before making the final DC connection or closing the DC breaker or disconnect, check cable polarity at both the battery and the Charge Controller. Positive (+) must be connected to positive (+). Negative (-) must be connected to negative (-).

6. Connect the negative (-) battery cable to the Charge Controller terminal marked BAT -.
7. Torque the Charge Controller terminals according to the following table:

Wire Size		Torque Value	
AWG	mm ²	in-lb	Nm
14–10	2.5–6	15	1.7
8	10	18	2
6	16	20	2.25

Allow some slack on the cables within the Charge Controller and secure the wiring with strain reliefs or cable clamps.

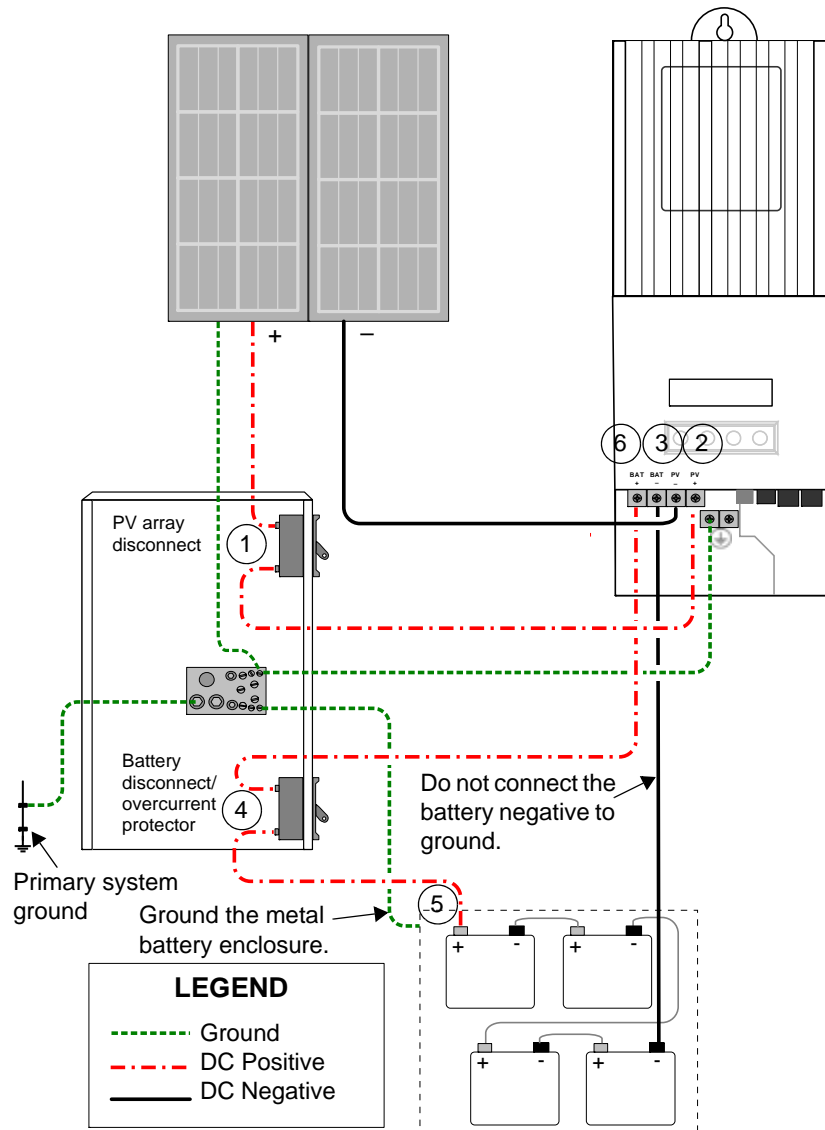


Figure 2-9 Charge Controller Wiring

Connecting Multiple Units

In a multiple-unit installation, each Charge Controller must be connected to a separate PV array.

For more information on multiple-unit installation, see “Network Installation” on page 2–17.

Important: Only one Charge Controller is to have the PV-GFP fuse installed in installations with multiple parallel Charge Controllers. Before mounting and connecting the Charge Controllers, remove the PV-GFP fuse from each unit except one.



WARNING: Shock hazard and equipment failure

Ensure each Charge Controller is correctly connected to its own PV array(s) and that no wires are crossed. See Figure 2-10. For example, if PV1 positive and PV2 negative are connected to Charge Controller #1 and PV2 positive and PV1 negative are connected to Charge Controller #2, current will flow through the Charge Controllers’ chassis and cause the ground fault protection fuse to blow, followed by short circuit failure.

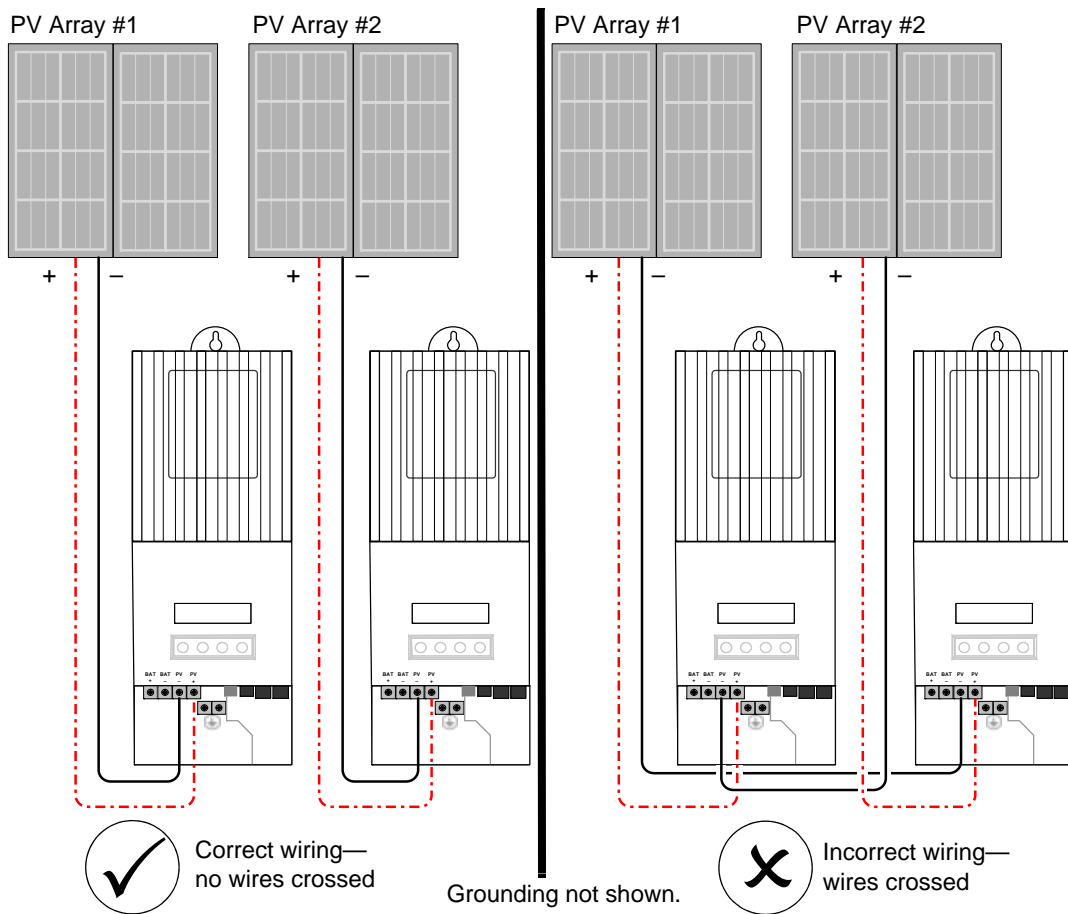


Figure 2-10 Multiple Charge Controller DC Wiring

Aux Output Connections



WARNING: Shock hazard

If the PV-GFP internal protection has activated, shock-hazardous voltages may appear at the AUX connector. To avoid a shock hazard, ensure that all connections made to the AUX terminals have no uninsulated wire segments and that all wiring has an insulation rating of at least 300 V.

The auxiliary output connectors can accept 22 AWG to 14 AWG copper solid or stranded wire. The auxiliary output is short-circuit protected and is disabled when a ground fault occurs.

To use the Charge Controller to control loads and protect your batteries, you must connect the Charge Controller auxiliary output to a relay that controls a battery disconnect to disconnect the load from the batteries. As shown in Figure 2-11, the auxiliary output can also power a fan to vent the battery compartment. The Charge Controller auxiliary output (producing 5 to 13 volts and up to 200 milliamps) must be configured to activate when the batteries reach a pre-set voltage level. See “Configuring the Auxiliary Output” on page 3–14.

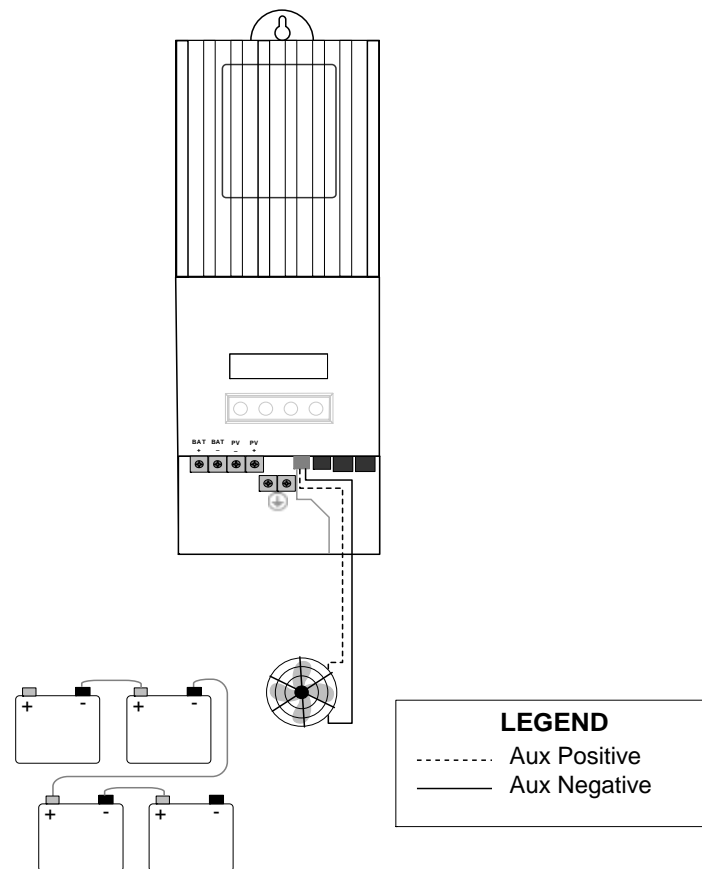


Figure 2-11 Auxiliary Output Vent Fan Application

Disconnecting the Charge Controller



WARNING: Shock hazard

Ensure both the PV array and the batteries are disconnected from the Charge Controller before servicing the Charge Controller or the batteries. After disconnecting the batteries, the Charge Controller can appear de-energized when the PV array is still connected.



WARNING: Shock hazard

After disconnecting power from the Charge Controller, wait at least five minutes before attempting any maintenance or cleaning or working on any circuits connected to the unit. Internal capacitors remain charged for five minutes after disconnecting all sources of power.

Before disconnecting batteries and the PV array from the unit, ensure the Charge Controller is not charging the batteries. If the Charge Controller is charging, you can wait until the charge cycle is complete or the Charge Controller displays “Low Light,” or you can put the unit into standby mode. Standby mode shuts off the Charge Controller output. The Charge Controller can be put into standby mode using the Charge Controller Device Menu or the MPPT Setup Menu on the XW System Control Panel.

If the Charge Controller is charging when the batteries are disconnected with a DC disconnect switch, an over-voltage output fault occurs due to the load on the Charge Controller output being removed. After approximately 10 seconds the Charge Controller LCD goes blank and the Charge Controller loses power.

Normal operation resumes when the battery is reconnected.

If the unit is not charging, the charge controller simply shuts down when the batteries are disconnected. No faults are generated.

Network Installation

The Xantrex XW-MPPT60-150 is a Xanbus[®]-enabled device. Xanbus is a network communications protocol developed by Xantrex. The Charge Controller is able to communicate its settings and activity to other Xanbus-enabled devices, such as the XW Series Inverter/Charger, the XW System Control Panel (SCP), XW Automatic Generator Start (XW-AGS), and other Xantrex XW Series Solar Charge Controllers.

Xanbus connections between multiple Charge Controllers allows information about each Charge Controller and its associated PV array to be communicated between all of the Charge Controllers in the system. Information about the entire system can be displayed on any Charge Controller LCD in the system.

For example, in a two-Charge Controller system, if Charge Controller #1 is producing 1500 W and Charge Controller #2 is producing 2000 W, both units display a total system power of 3500 W. The accumulated amp-hours and kilowatt-hours produced by both units that day is also displayed.

Networked Charge Controllers also share battery temperature information if a single BTS is connected to a single unit (Charge Controller or XW Inverter/Charger) in the system.

Without Xanbus connections, each Charge Controller in a system will only display information specific to the unit and its associated PV array.

Network Components

A Xanbus network consists of the following components:

- Xanbus-enabled devices—these include the Charge Controller, the XW Series Inverter/Charger, XW-AGS, and SCP. The network can consist of up to three XW Series Inverter/Chargers, two Charge Controllers, one XW-AGS, and one SCP.

When only Charge Controllers are installed, up to 10 units can be networked together.

- Xanbus power supply—the XW Series Inverter/Charger provides the required 15 Vdc/200 mA network power to the Charge Controller.

When only Charge Controllers are installed, no Xanbus power supply is required to supply network power. The Charge Controllers will communicate with other Charge Controllers, but the units can not supply network power to any other devices.

- Network cables—each Xanbus-enabled device is connected by a Category 5 (CAT 5 or CAT 5e) cable, a standard cable available from Xantrex or any computer supply store. The cable consists of eight conductors in four twisted pairs with an RJ-45 modular connector wired to the T568A standard.



CAUTION: Equipment damage

Do not use crossover cable.

Table 2-12 contains the arrangements of wire colors to pin numbers for the T568A standard.

Figure 2-12 T568Ac Standard Wiring

Pin Number	Conductor Name	CAT 5 Cable Insulation Color	CAT 5E Cable Insulation Color
1	NET_S	White/Green	White/Orange
2	NET_S	Green	Orange
3	NET_C	White/Orange	White/Green
4	CAN_L	Blue	Blue
5	CAN_H	White/Blue	White/Blue
6	NET_C	Orange	Green
7	NET_S	White/Brown	White/Brown
8	NET_C	Brown	Brown

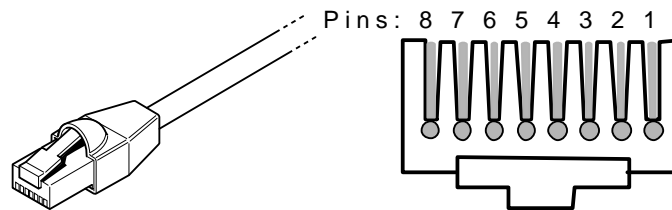
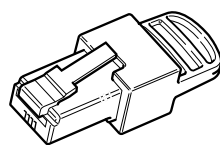
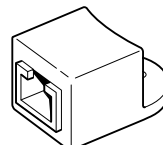


Figure 2-13 Xanbus Cable and RJ-45 Connector Pin Numbers

- Network terminators (Figure 2-14)—the Xanbus network must be properly terminated at each end with male or female network terminators to ensure the communication signal quality on the network. If the network is not properly terminated, signal quality is degraded and performance on the network is reduced. Permanent configuration with no terminators is not supported by Xantrex. The Charge Controller and other Xanbus-enabled devices ship with one male terminator already installed. Depending on your network layout, this terminator may need to be removed and inserted into another device elsewhere in the network.



Male network terminator



Female network terminator

Figure 2-14 Network Terminators

- Network connectors—The three-way connector houses three RJ-45 jacks that provide a device connection point on a multi-drop backbone layout (see “Multi-Drop Backbone Layout” on page 2–20). All three jacks are wired

identically and can accept either network cables or terminators. One jack is available for connecting to a Xanbus-enabled device. The remaining jacks are reserved for connection to other network connectors, a network cable terminated with a female terminator, or a male terminator.

The network connector is mounted to a bulkhead or a wall, as shown in Figure 2-15.

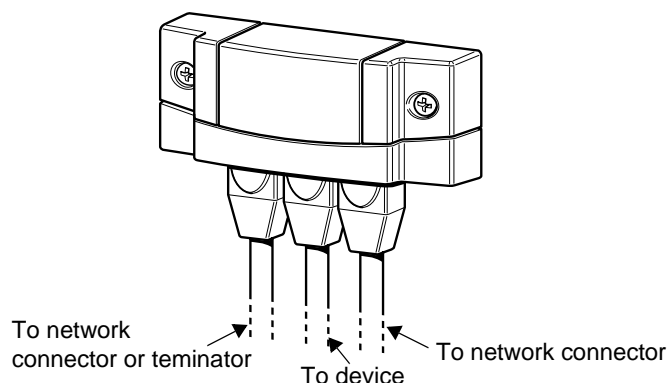


Figure 2-15 Three-Way Network Connector

Ordering Network Components

Table 2-3 provides a partial list of network components and part numbers. Pre-made cables are available in standard lengths from 3 feet to 75 feet.

For the most up-to-date list, call your dealer. Call your dealer or visit the Outlet Store at www.xantrex.com to purchase cables and other network components.

Table 2-3 Network Components and Part Numbers

Network Component	Part Number
Network termination—Male (2 per pack)	809-0901
Network termination—Female (2 per pack)	809-0905
Three-way network connector	809-0903
Network cable 3 feet (0.9 m)	809-0935
Network cable 5 feet (1.5 m)	809-0936
Network cable 7 feet (2.0 m)	809-0937
Network cable 10 feet (3.0 m)	809-0938
Network cable 14 feet (4.3 m)	809-0939
Network cable 25 feet (7.6 m)	809-0940
Network cable 50 feet (15.2 m)	809-0941
Network cable 75 feet (22.9 m)	809-0942

Network Layout

Xanbus-enabled devices can be connected in one of two Xanbus System layouts: multi-drop backbone or daisy chain. Each network layout has advantages and disadvantages, depending on the application and/or environment. It is up to the installer or system designer to decide which layout is best for the installation.

Important: Do not mix the two types of network layouts. Mixed configurations are not supported by Xantrex.

Multi-Drop Backbone Layout

In a multi-drop backbone layout, each Xanbus-enabled device on the network is connected by a drop cable to the network bus or backbone with a network connector, as shown in Figure 2-16.

Network terminators are required at both ends of the multi-drop backbone cable, as shown in Figure 2-16. Therefore, the Xanbus-enabled devices do not require their own termination.

If cables are placed at the end of the network, female terminators are required. Otherwise, male terminators can be inserted directly into the open jack of each network connector at the end of the network. See Figure 2-16.

Advantages Xanbus-enabled devices can be removed or replaced while still keeping the network operating.

Disadvantage The main disadvantage of this layout is the cost of network connectors and extra cabling. A daisy chain layout uses no network connectors. In a multi-drop backbone layout, each device requires a network connector.

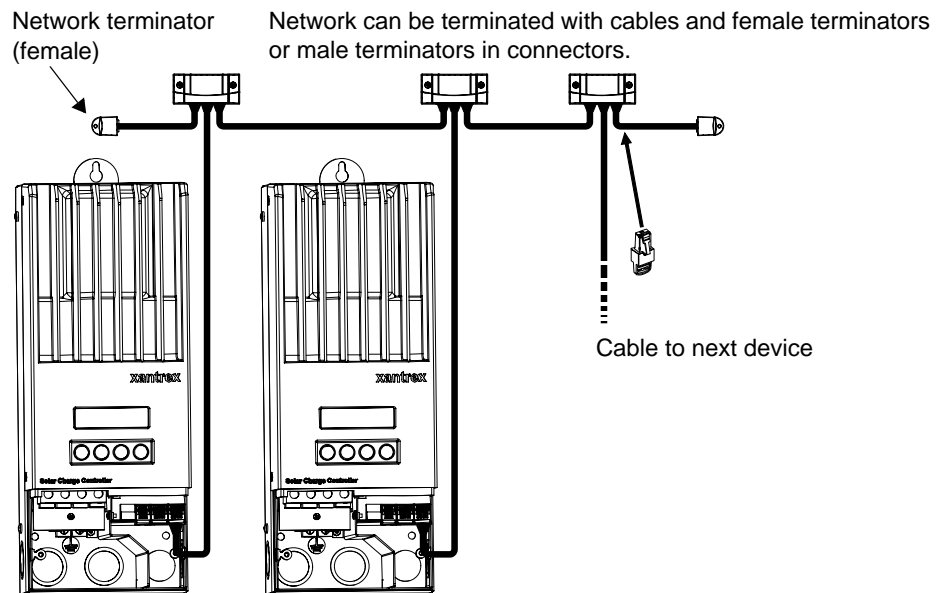


Figure 2-16 Multi-Drop Backbone Layout

Daisy Chain Layout

In a daisy chain layout, each device on the network is linked with separate lengths of cable, as shown in Figure 2-17. This layout does not require network connectors.

As in the multi-drop backbone layout, two terminators are required to ensure the communication signal quality on the network. The Xanbus-enabled devices at each end of the chain must have a male terminator inserted into their open network ports, as shown in Figure 2-17.

Advantage The advantage of this layout is that it is less expensive to install because network connectors are not required.

Disadvantage The disadvantage of the daisy chain layout is that Xanbus-enabled devices cannot be removed from the network without interrupting the network. To make the network function after removing a device, you must connect the Xanbus-enabled devices on either side of the missing device to each other or replace the device.

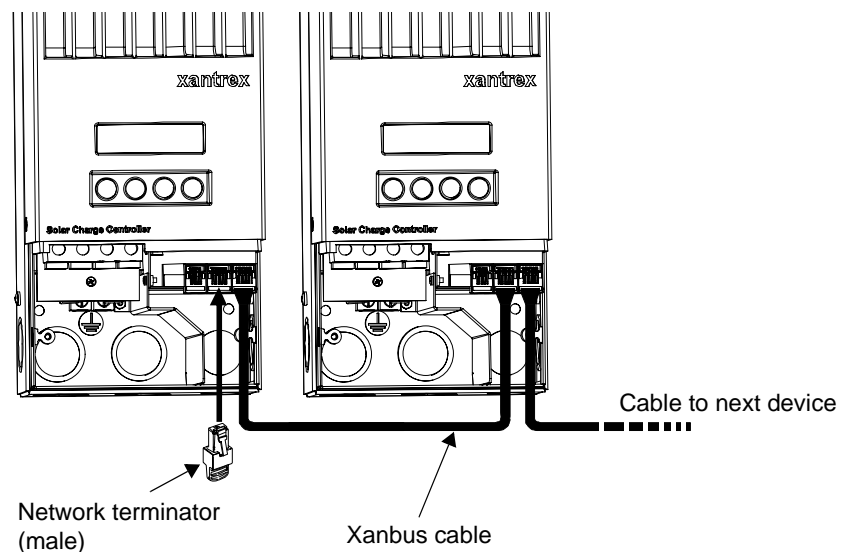


Figure 2-17 Daisy Chain Layout

Guidelines for Routing the Network Cables



WARNING: Shock hazard

Do not route the network cables in the same conduit or panel as the DC input/output cables.

Single knockouts on the back and bottom of the Charge Controller are provided for routing the Xanbus network cables. See Figure 2-4 on page 2–6.

Connecting Network Cable Between Multiple Units

See Figure 2-7 on page 2–9 for the location of the Charge Controller Xanbus ports.



CAUTION: Equipment damage

Connect only Xanbus-enabled devices.

Although the cabling and connectors used in this network system are the same as ethernet connectors, **this network is not an ethernet system**. Equipment damage may result from attempting to connect the Charge Controller to different systems.



CAUTION: Unpredictable device behavior

Do not connect one end of the network to the other to make a ring or loop.



WARNING: Shock hazard

Before opening the Charge Controller wiring compartment, ensure the PV array and batteries are disconnected. To reduce the risk of shock, cover the array with an opaque (dark) material.

Multi-Drop Backbone Layout

To connect network cables between multiple units:

1. Remove the wiring compartment cover from each unit.
2. Remove a single knockout from the back or bottom of each Charge Controller.
3. Install one network connector for each Charge Controller. See Figure 2-15 on page 2–19.
4. Connect a network cable from the nearest network connector to a Xanbus port in Charge Controller #1.
5. Repeat the previous step for the next Charge Controller.
6. Connect each network connector with a network cable as shown in Figure 2-16.

7. Ensure the factory-supplied male network terminators (or a network cable and female terminator) are inserted into the empty Xanbus ports in the network connectors at the beginning and end of the network. There should be no empty Xanbus ports in any of the network connectors.

Daisy Chain Layout

To connect network cables between multiple units:

1. Remove the wiring compartment cover from each unit.
2. Remove a single knockout from the back or bottom of each Charge Controller.
3. Connect the network cable to a Xanbus port in Charge Controller #1.
4. Route the cable to Charge Controller #2.
5. Connect the network cable to a Xanbus port in Charge Controller #2.
6. Connect another network cable to Charge Controller #2 and route the cable to the next device in the network.
7. Ensure the factory-supplied male network terminators are inserted into the empty Xanbus ports in the devices at the beginning and end of the network. There should be no empty Xanbus ports in any of the Charge Controllers.

Installing the Battery Temperature Sensor

Installing a Battery Temperature Sensor (BTS) is highly recommended for optimum charging performance and extending battery life. The BTS automatically adjusts battery charging voltage depending on the ambient temperature. With a BTS installed, the Charge Controller can also detect over-temperature and under-temperature battery conditions and suspend charging until the battery temperature is suitable.

If a BTS is not installed and the batteries will operate in hot or cold conditions, manually adjust the temperature settings to suit the conditions. See “Configuring Battery Characteristics and Battery Charging” on page 3–5.

Only one BTS is required if multiple Charge Controllers or a complete XW Power System with XW Inverter/Chargers are networked together using Xanbus. All networked XW Series devices share battery temperature information, and the BTS can be connected to a Charge Controller or an XW Inverter/Charger.

See Figure 2-7 on page 2–9 for the location of the Charge Controller BTS port. Single knockouts on the back and bottom of the Charge Controller are provided for routing the BTS cable. See Figure 2-4 on page 2–6.

Important: If the sensor cable is damaged and the wires are shorted, the Charge Controller displays an over-temperature fault message. If the BTS wires have been cut, the Charge Controller assumes that the BTS is not connected. Replacement Battery Temperature Sensors are available from Xantrex (replacement part number 808-0232-02).

To install the BTS:

1. Remove the Charge Controller wiring compartment cover.
2. If necessary, remove a single knockout from the back or bottom of the Charge Controller.
3. Connect the ring terminal on the BTS directly to the negative battery terminal (recommended), or use the adhesive backing on the sensor back to attach the sensor to any side of the battery to be monitored. See Figure 2-18.

If using the adhesive backing, install the BTS on the side of the battery below the electrolyte level. It is best to place the sensor between batteries and place the batteries in an insulated box to reduce the influence of the ambient temperature outside the battery enclosure.

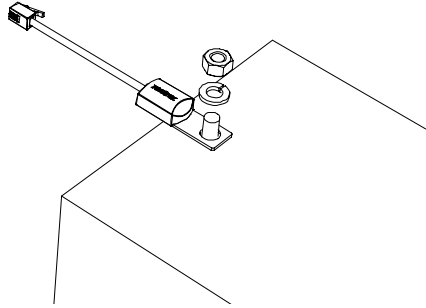


Figure 2-18 Attaching the BTS to a Battery Terminal

4. Pass the end of the BTS cable through a conduit hole on the Charge Controller and insert the BTS plug into the BTS port. See Figure 2-19.

Important: The BTS cable must not pass through the same conduit used for PV wiring and battery cables.

5. Replace the Charge Controller wiring compartment cover.

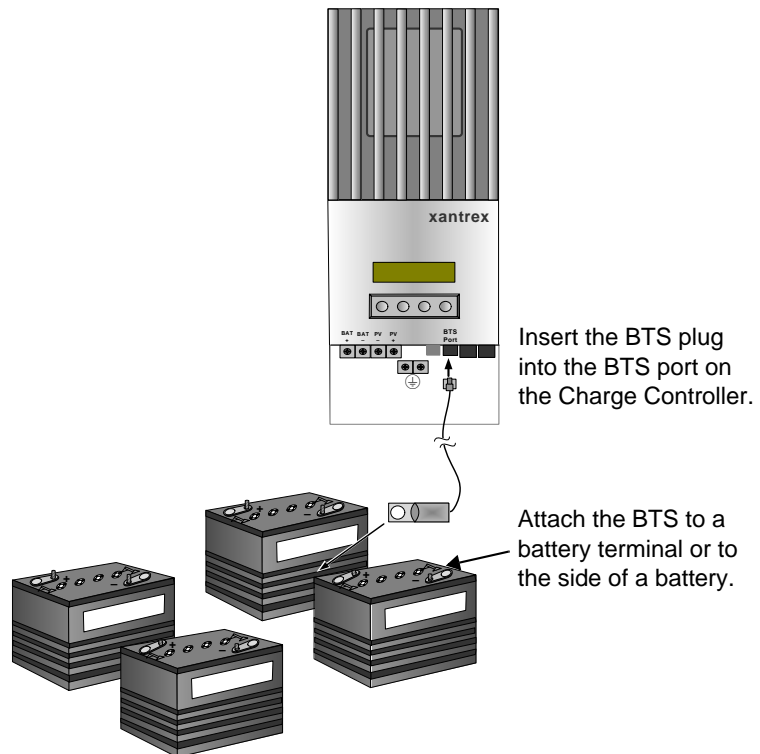


Figure 2-19 Installing the BTS

Commissioning

During commissioning, the Charge Controller prompts you to enter important system information such as the nominal battery voltage, battery type, and battery bank capacity. Ensure you have this system information prior to commissioning.

In systems where an XW System Control Panel (SCP) is present, the SCP is intended to be the configuration interface, so the prompt screens are suppressed. See “Commissioning Units Using a System Control Panel” on page 2–30. If you prefer to configure using the prompt screens, disconnect the Xanbus cable connecting the SCP from the Charge Controller before powering up for the first time.

Configuration Screens

When power is first applied to the Charge Controller, several configuration screens prompt you to enter the following information:

- A “DC out” (battery) connection, which enables the Charge Controller to read and share the same battery information with other Xanbus-enabled devices that charge or invert from the same battery bank.
- Battery type: Flooded (default), Gel, AGM, Custom.

If you select Custom, the settings for battery type match the default settings for Flooded batteries until you reconfigure the settings on the Custom Battery menu. See “Setting a Custom Battery Type” on page 3–9.

- Nominal battery voltage of the battery bank connected to the Charge Controller.

The Charge Controller automatically detects battery voltages of 12 V, 24 V and 48 V. If your nominal system voltage is 36 V or 60 V, enter the correct system voltage on this screen.

- Battery bank capacity, in amp-hours.

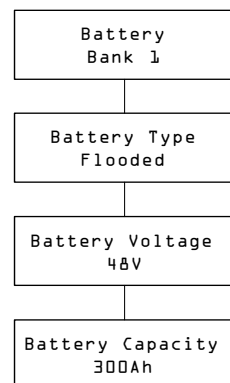


Figure 2-20 Configuration Screens

Commissioning a Single Unit Without a System Control Panel

To commission the Charge Controller:

1. Apply battery power to the unit with a disconnect or selector switch.

The LCD displays the two startup screens in sequence, as shown in Table 2-4, followed by the first of four configuration prompt screens. The four configuration prompt screens guide you through the minimum setup required for the Charge Controller to operate properly.

Table 2-4 Startup Screens on Charge Controller Front Panel Display

Display	Duration	Description
Xantrex XW-MPPT60-150	5 seconds	Startup message 1: Charge Controller model number
Ver 01.00 Build 0005	5 seconds	Startup message 2: Firmware version and build numbers. This screen is also available in the Device Menu for referencing during normal operation (see page 3–23).

2. At the first prompt screen, the Battery screen, select a name (such as Bank 1) for the battery bank connected to the Charge Controller.

Selecting a battery connection is important for multiple Charge Controller installations (where units share data over a Xanbus network), because it associates the selected battery bank with each unit.

3. Press Enter to confirm the battery bank.
4. At the Battery Type screen, select the battery type for your system.
5. Press Enter to confirm the battery type.
6. When the Battery Voltage screen appears, check that the Charge Controller has detected the correct system voltage.
7. Press Enter to confirm the detected battery voltage.

Or

If the unit has not automatically detected the voltage, select the correct voltage using the arrow buttons. When the correct battery voltage appears, press Enter.

8. At the Battery Capacity screen, select the battery capacity of your system.
9. Press Enter to confirm the battery capacity.
10. Uncover the PV array and/or apply power with the disconnect or selector switch.

The Charge Controller starts up in sleep mode and waits for a short period to determine that the input voltage is greater than the output voltage. The LCD indicates the Charge Controller mode or any error conditions that may be present (see “Viewing Operating Status” on page 4–2). After the input voltage exceeds the output voltage by the required margin for 10 seconds, the unit begins operating.

Commissioning Multiple Units Without a System Control Panel

When commissioning several Charge Controllers on the same Xanbus network, care must be taken to set a unique device number and the correct battery connection for each unit. The connection is important to define so that system totals and other related information are displayed accurately on each unit’s LCD.

Once the first unit is configured, you can copy that configuration to all other units by following the “Copy Config?” prompt on the LCD.

Settings that are copied from one unit to another:

- Battery Type
- Battery Amp Hour Capacity
- Max Charge Rate/Current Limit
- Charge Cycle
- Recharge Voltage
- Max Absorption Time
- Default Battery Temperature
- Nominal Battery Voltage
- DC Out Connection/Battery Bank
- Custom Battery Settings (if Custom Battery type selected):
 - Equalize Support
 - Equalize Voltage
 - Bulk Voltage
 - Absorption Voltage
 - Float Voltage
 - Battery Temperature Compensation

To commission multiple Charge Controllers:

1. Close the DC disconnect or use a selector switch to apply battery power to all of the Charge Controllers at the same time.

The LCD on each unit displays the two startup screens in sequence, as shown in Table 2-4, followed by a prompt screen for you to set the device number.

2. On all the charge controllers, set the device number to a value other than its default value of 00. No two charge controllers can have the same device number. The device number can be set to any number between 01 and 31. For the first Charge Controller, 01 is recommended. If you have two charge controllers, simply set them to 01 and 02.

Note: If it is necessary to reset the Charge Controller to factory default settings, checking that the device number has reverted to 00 will confirm the reset was successful.

After setting the device numbers, a “Copy Config?” prompt screen appears on all of the Charge Controllers. The options available are “Yes” and “No”

3. On the Charge Controller you set to device number 01, select “No.”
You will be prompted to enter (as described in steps 2 through 9 in “Commissioning a Single Unit Without a System Control Panel”):
 - Battery connection. The default is Bank 1, and each Charge Controller connected to a common battery bank must be set to the same battery connection.
 - Battery voltage
 - Battery type
 - Battery capacity.
4. The first unit will now have the minimum configuration settings confirmed. If you want to customize other more advanced settings (such as 2-stage or 3-stage charging, or custom battery type settings), it is recommended to do that now as these settings can be automatically copied over to the other Charge Controllers that are yet to be configured.
5. On the next Charge Controller, which should still be displaying the “Copy Config?” prompt screen, select “Yes.”
A “Copy Setup From?” screen appears.
6. Select the device number of the first Charge Controller you configured (which should be device number 01), and press Enter.

Note: If you need to check the device number of the unit you previously configured, navigate to the Device Menu and view the Device Number screen. See Figure 3-2, “Complete Configuration Menus” on page 3–4. Note that the entire Device Menu is only visible when the Display Mode is set to Advanced.

The first Charge Controller’s configuration is copied to the second unit and the “Copy Config?” prompt screen disappears.

7. Uncover the PV array and/or apply power with the disconnect or selector switch.

The Charge Controller starts up in sleep mode and waits for a short period to determine that the input voltage is greater than the output voltage. The LCD indicates the Charge Controller mode or any error conditions that may be present (see “Viewing Operating Status” on page 4–2). After the input voltage exceeds the output voltage by the required margin for 10 seconds, the unit begins operating.

Commissioning Units Using a System Control Panel

In systems where an XW System Control Panel (SCP) is present, the SCP is intended to be the configuration interface. For information about SCP navigation and menus, see Appendix B, “XW System Control Panel Menus”.

Commissioning units using an SCP involves three separate procedures:

1. Setting the Device Numbers for all Charge Controllers.
2. Configuring Connections and Charger Settings for the first Charge Controller.
3. Copying settings from the first unit to the other Charge Controller.

To set the Device Numbers for all Charge Controllers:

1. Ensure the Xanbus network is connected to a Xanbus-enabled inverter to provide power to the System Control Panel.
2. Close the DC disconnect or use a selector switch to apply battery power to all of the Charge Controllers at the same time. When the Charge Controllers are powered up, they will detect that an SCP is already operating on the network, and be ready for configuration through the SCP. Do not apply PV power at this point.
3. From the Select Device menu on the SCP, select a Charge Controller (each unit should appear as “MPPT60 00” where the 60 stands for 60A, and the 00 is its device number).
4. On the MPPT Setup menu, ensure the Advanced Settings item is displayed. If Advanced Settings are not displayed (and Basic Settings appears as the last item on the menu), press the up arrow, down arrow and Exit keys together. (See “Advanced menu” on page B–7.)
5. Select Advanced Settings, then select the Multi Unit Config menu. After entering the Multi Unit Config menu, the LCD backlight on the Charge Controller to be configured will flash.
6. On the Multi Unit Config menu, select Dev Number and set it to a number other than 00.

The device number can be set to any number between 01 and 31. For the first Charge Controller, 01 is recommended. If you have two charge controllers, simply set them to 01 and 02.

7. Press Exit until the Select Device menu is displayed.

The Charge Controller now appears as MPPT60 01 on the menu.

8. Repeat steps 3 through 7 for the next Charge Controller.

When you have set the device number for all Charge Controllers, you can configure Connections and Charger Settings for the first Charge Controller.

To configure Connections and Charger Settings for the first Charge Controller:

1. On the Select Device Menu, select “MPPT60 01.”
2. Navigate to the Multi Unit Config menu and select Connections.
On the Connections menu, you can configure PV In (PV input) and DC Conn (DC output, or the battery bank). If the system has only one battery bank, leave DC Conn at the default setting. The PV In setting allows you to differentiate which array is going to which Charge Controller. This setting is used for status reporting only, not for any internal controls. Setting PV In to a non-default value is optional.
3. Press Exit twice to leave the Connections menu and Multi Unit Config menu.
4. From the Advanced Settings menu, select Charger Settings.
5. Set the Battery Type, Battery Capacity, and any other charger settings required for your system.

While in the Charger menu, ensure that the Nominal Battery Voltage is set correctly (it is shown as Batt Voltage and appears as the last item on the menu). If you select “Custom” for your Battery Type, you can further configure the Bulk, Absorption, Float and other settings for the charge cycle.

The first charge controller should now be configured properly for your system.

If multiple charge controllers are installed, you can now copy the first unit’s configuration over to other units.

To copy the Charge Controller setup to another unit:

1. On the SCP, press Exit to leave the Advanced Settings menu and view the Select Device menu.
2. On the Select Device Menu, select the next Charge Controller for configuration.
3. On the Advanced Settings menu, select Copy From, then select the Charge Controller you want to copy from. You should select the unit with the device number that matches the first unit you configured.
4. Press Enter.

The settings are automatically copied from the selected unit.

Note: The Copy From command will not give you any indication that it has completed its task. However, you can quickly check for yourself that the charger settings you have chosen have been copied properly by viewing some of the settings you originally configured.

5. Uncover the PV array and/or apply power with the disconnect or selector switch.

The Charge Controller starts up in sleep mode and waits for a short period to determine that the input voltage is greater than the output voltage. After the input voltage exceeds the output voltage by the required margin for 10 seconds, the unit begins operating.

3

Configuration

Chapter 3 contains information and procedures to configure the XW Series Solar Charge Controller.

For information on:	See:
“Configuration Menus”	page 3-3
“Configuring Battery Characteristics and Battery Charging”	page 3-5
“Configuring Charge Controller Input”	page 3-11
“Configuring the Auxiliary Output”	page 3-12
“Configuring the LCD”	page 3-16
“Resetting to Factory Defaults”	page 3-20

Configuring the Charge Controller

The following sections describe how to configure the Charge Controller for the desired application and function.

The Charge Controller is configured using the four buttons on the front of the unit.

Table 3-1 Charge Controller buttons

Button	Function
Enter	<ul style="list-style-type: none">• Displays the next screen level. For example, pressing Enter from the Battery Menu selection screen displays the first configurable item on the Battery menu.• Selects and confirms selection of a menu item
Up arrow	<ul style="list-style-type: none">• Displays previous menu or menu item. For example, pressing the Up arrow from the Battery Menu selection screen displays the History Menu selection screen.• Increases a selected value
Down arrow	<ul style="list-style-type: none">• Displays the next menu or menu item. For example, pressing the Down arrow from the Battery Menu selection screen displays the Input Menu selection screen.• Decreases a selected value
Exit	<ul style="list-style-type: none">• Cancels selection of a menu item• Displays the previous screen level. For example, pressing Exit from the Equalization Reminder screen on the Battery Menu displays the Battery Menu selection screen. Pressing Exit again displays the top-level operating screens.

Configuration Menus

The menus for setup and monitoring Charge Controller performance are shown in Figure 3-1 and Figure 3-2.

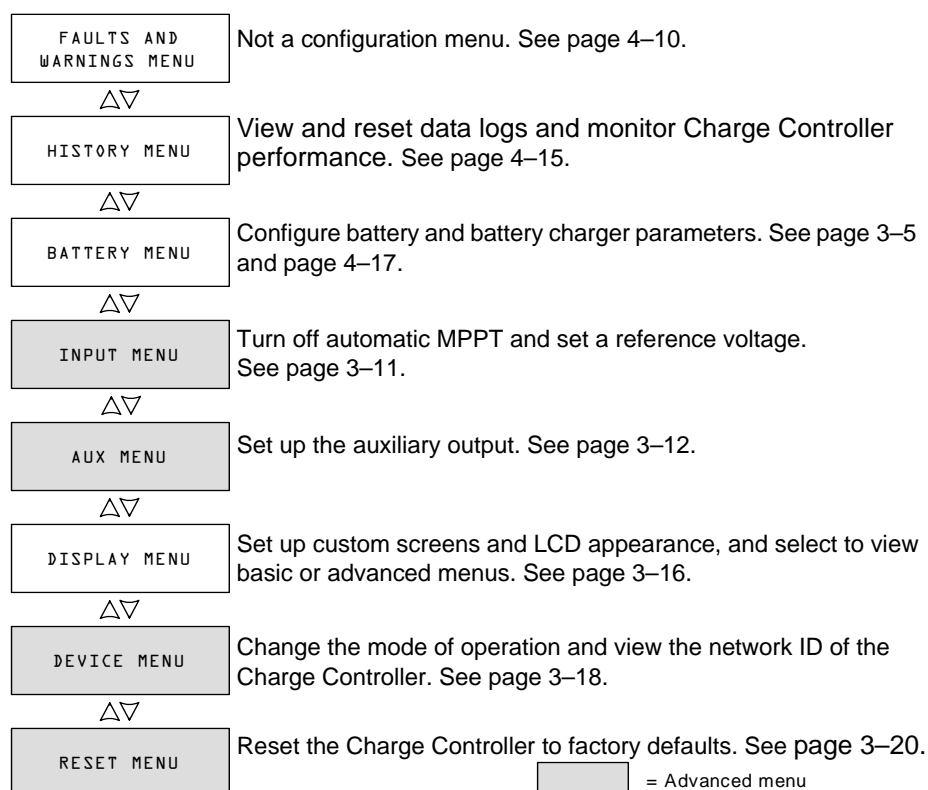


Figure 3-1 Configuration Menu Selection Screens

Basic and Advanced Menus

The menus can be viewed in basic and advanced formats. Basic menus contain items you may have to view and adjust on a routine basis. Advanced menus contain items intended for service personnel and one-time setup, such as auxiliary output configuration and defining custom battery types.

The Charge Controller is shipped from the factory with only basic menu items enabled. You can choose to view the basic or advanced menus on the Display Menu (see “Configuring the LCD” on page 3–16).

The Input Menu, Auxiliary Menu, Device Menu, and Reset Menu are advanced menus only, as are some items on the History Menu and Battery Menu.

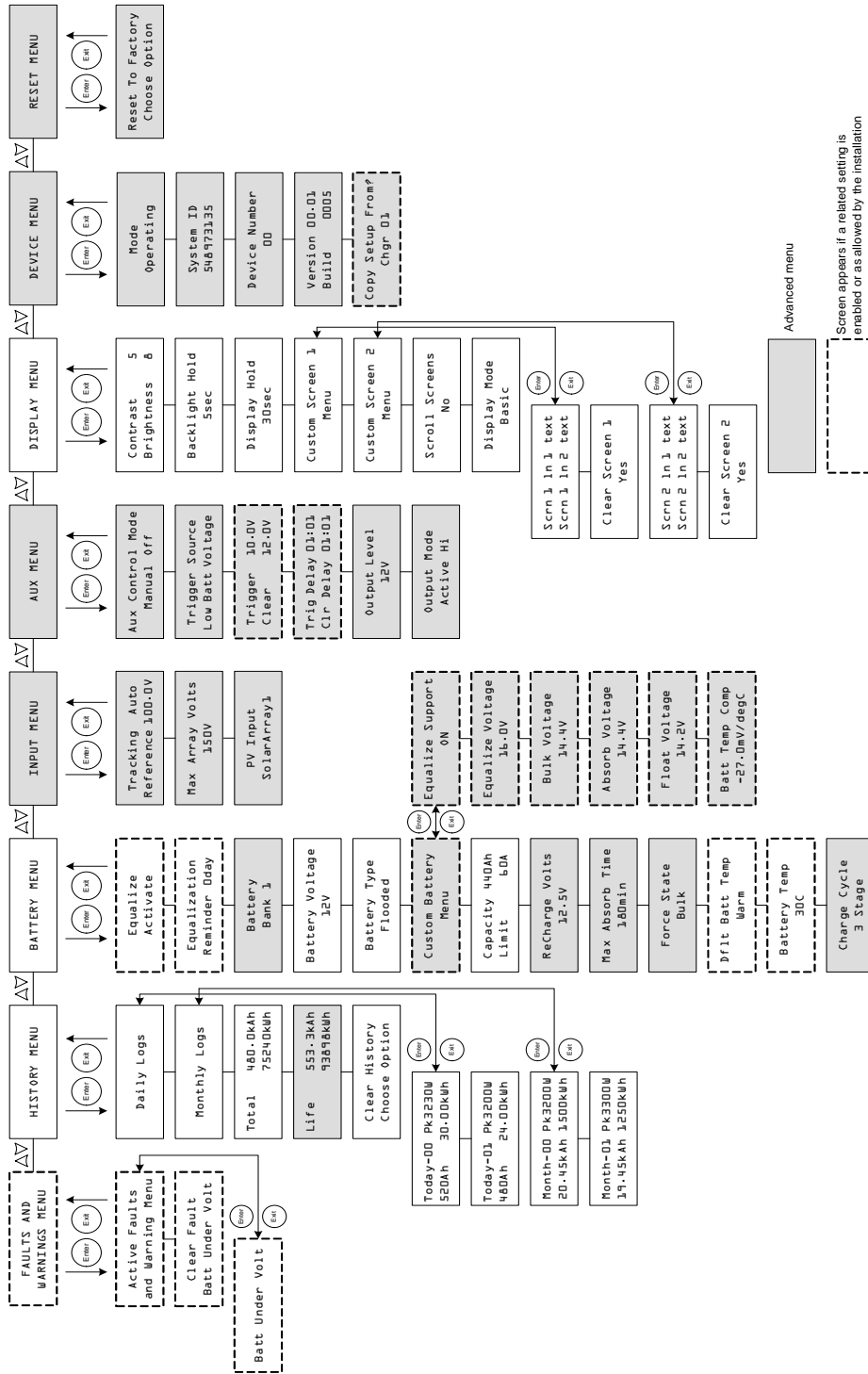


Figure 3-2 Complete Configuration Menus

Configuring Battery Characteristics and Battery Charging

On the Battery Menu you can:

- Start battery equalization
- Configure your battery type, voltage and amp-hour capacity
- Configure a custom battery type by adjusting settings for each battery charge stage and fine-tuning temperature-compensated charging
- Monitor battery temperature.

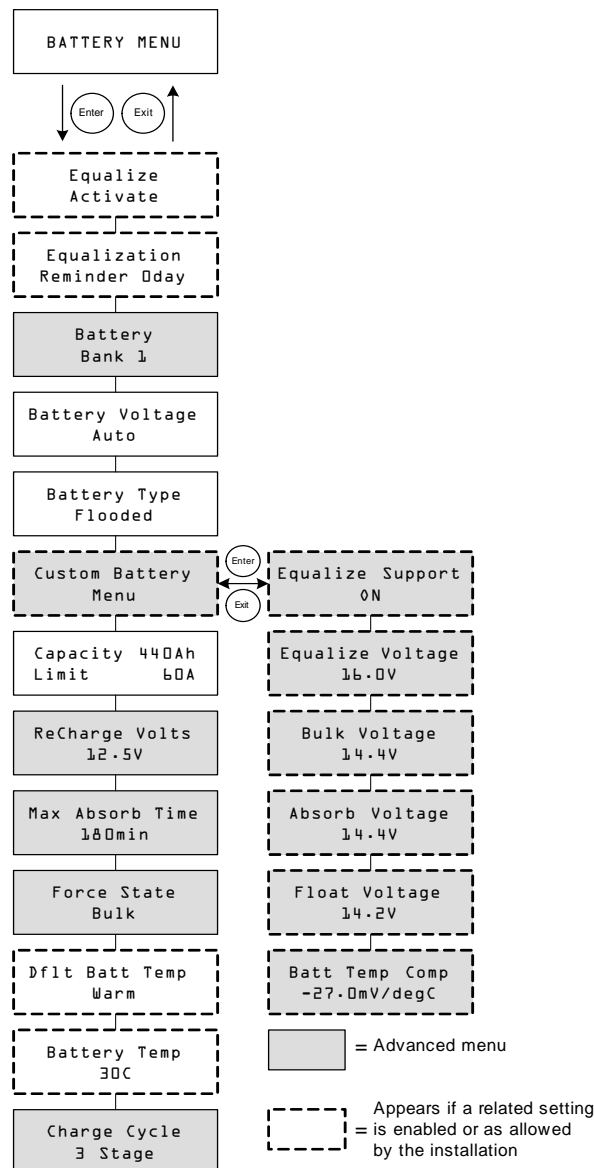


Figure 3-3 Battery Menu

Table 3-2 Battery Menu Values

Setting	Values	Default	Description
Equalize Activate	Activate/Stop	Activate	Enables or disables Battery Equalization. If the Battery Type is set to GEL or AGM, this setting is disabled.
Equalization Reminder Dd	0–365 d(ays)	0 d	Sets a reminder that notifies you when the battery needs equalizing. If set to 0, the reminder is disabled.
Battery Bank 1	1–12	1	Selects the battery bank connected to the Charge Controller. This is important for networked installations, where multiple devices must coordinate their activity around common DC connections.
Battery Voltage 12V	Auto, 12V, 24V, 36V, 48V, 60V	n/a	Selects your battery voltage. The Charge Controller automatically detects 12V, 24V, and 48V systems at startup. Select the nominal voltage level that matches your system’s battery voltage.
Battery Type Flooded	Flooded, GEL, AGM, Custom	Flooded	Selects your battery type. Selecting Custom allows you to adjust the Equalize, Bulk, Absorption, and Float Voltage settings. Battery temperature compensation can also be adjusted on the Custom Battery menu. The Custom option is available only when advanced menus are displayed.
Custom Battery Menu	n/a	n/a	Press Enter to display the Custom Battery menu and configure a custom battery type. See “Setting a Custom Battery Type” on page 3–8.
Capacity 440Ah Limit 60.0A	50–2000Ah 6.0–60.0A	440Ah 60.0A	Line 1: Sets the amp-hour capacity of your battery bank. Line 2: Sets the charging current limit.

Table 3-2 Battery Menu Values

Setting	Values	Default	Description
ReCharge Volts 12.5V	12V: 10.0–13.5V 24V: 20.0–27.0V 36V: 30.0–40.5V 48V: 40.0–54.0V 60V: 50.0–67.5V	12.5V 25.0V 37.5V 50.0V 62.5V	Sets the voltage at which the charger transitions from Float or No Float back to Bulk, or from Absorption back to Bulk.
Max Absorb Time 180min	120–360 min	180 min	Sets the maximum time spent at a constant voltage (the setting for Absorption voltage) during the absorption stage. This setting does not control the duration of the entire Absorption stage.
Force State Bulk	Bulk, Float, No Float	Bulk	Manually sets the charge stage to bulk, float, or no float.
Dflt Batt Temp Warm	Cold, Warm, Hot	Warm	Sets the default battery temperature for compensation when the BTS is not connected. Cold is suitable for temperatures of around 10 °C (50 °F), Warm for 25 °C (77 °F), and Hot for 40 °C (104 °F). This screen appears only when a BTS is not connected.
Battery Temp 30C	-40–65 C	n/a	Shows the battery temperature (in Celsius) detected by the BTS. This screen appears only when a BTS is connected.
Charge Cycle 3 Stage	3 Stage, 2 Stage No Float	3 Stage	Selects the charging cycle (or algorithm)—3 Stage (Bulk/Absorption/Float) or 2 Stage (Bulk/Absorption/No Float).

Setting a Custom Battery Type



CAUTION: Equipment damage

To avoid damaging your batteries during charging or equalization, consult your battery manufacturer and associated documentation before setting a custom battery type.

The Custom Battery menu allows you to adjust charging and equalization voltage for batteries whose specifications fall outside of the default settings for the battery types the Charge Controller offers.

You can also adjust the temperature compensation constant for the Battery Temperature Sensor on the Custom Battery menu.

Important:

- Setting the Battery Type to Custom is possible only when advanced menus are displayed.
- The Custom Battery menu is displayed only when the Battery Type is set to Custom.
- All settings for configuring a Custom battery type are based on the default settings for a Flooded battery type.

The following table describes the options available on the Custom Battery menu.

Table 3-3 Custom Battery Menu Values

Setting	Values	Default	Description
Equalize Support ON	ON, OFF	ON	Selects whether Equalization will be allowed or not for the Custom battery type.
Equalize Voltage 16.0V	12V: 13.5–16.0V 24V: 27.0–32.0V 36V: 40.5–48.0V 48V: 54.0–64.0V 60V: 67.5–72.0V	16.0V 32.0V 48.0V 64.0V 72.0V	Selects the equalization voltage (consult your battery manufacturer for equalization voltage setting). This screen is hidden if Equalize Support is OFF.
Bulk Voltage 14.4V	12V: 10.0–16.0V 24V: 20.0–32.0V 36V: 30.0–48.0V 48V: 40.0–64.0V 60V: 50.0–72.0V	14.4V 28.8V 43.2V 57.6V 72.0V	Sets the bulk voltage for a custom battery type.
Absorb Voltage 14.4V	12V: 10.0–16.0V 24V: 20.0–32.0V 36V: 30.0–48.0V 48V: 40.0–64.0V 60V: 50.0–72.0V	14.4V 28.8V 43.2V 57.6V 72.0V	Sets the absorption voltage for a custom battery type.

Table 3-3 Custom Battery Menu Values

Setting	Values	Default	Description
Float Voltage 13.5V	12V: 10.0–16.0V 24V: 20.0–32.0V 36V: 30.0–48.0V 48V: 40.0–64.0V 60V: 50.0–72.0V	13.5V 27.0V 40.5V 54.0V 67.5V	Sets the float voltage for a custom battery type.
Batt Temp Comp -27mV/degC	12V: -45–0mV/degC 24V: -90–0mV/degC 36V: -135–0mV/degC 48V: -180–0mV/degC 60V: -225–0mV/degC	-27mV -54mV -81mV -108mV -135mV	Battery temperature compensation for a custom battery type. This setting is the reference that the BTS uses to adjust the charging voltage when the temperature falls above or below 25 °C. See “Battery Temperature Compensation”.

See “Default Battery Charging Settings” on page A–2 for default settings for standard battery types.



CAUTION: Equipment damage

The Charge Controller is incapable of determining battery type and cannot warn against or disallow incorrect settings. The settings for bulk, absorption, float and equalization charge must be checked carefully against the battery specifications. Incorrect settings may damage the battery or shorten battery life.

Battery Temperature Compensation

When battery charging voltages are compensated based on temperature, the charge voltage will vary depending on the temperature around the batteries.

Temperature compensation can be accomplished automatically by using a BTS. The BTS attaches directly to the side of one of the batteries in the bank and provides precise battery temperature information.

See “Installing the Battery Temperature Sensor” on page 2–28 for detailed instructions on how and where to install the BTS.

If a BTS is installed, the charge controlling process will be automatically adjusted for the battery temperature. The Charge Controller uses the following coefficients to adjust the charging voltage:

- **Flooded Lead-Acid and Gel-Type Batteries (12 V nominal):**
-27 mV per degree Celsius
- **Absorbed Glass Mat (AGM)-Type Batteries (12 V nominal):**
-21 mV per degree Celsius

If using a BTS, when the battery temperature drops below 77 °F (25 °C), the regulation voltage setting automatically increases. When the temperature rises above 77 °F (25 °C) the regulation battery voltage setting automatically decreases.

If a BTS is not installed, you can configure the Charge Controller to use one of three temperature compensated charge settings:

- Cold—50 °F (10 °C)
- Warm—77 °F (25 °C)
- Hot—104 °F (40 °C)

If significant seasonal variations are common in your area, you will have to change the settings during the year to ensure optimal battery charging.

Configuring Charge Controller Input

On the Input Menu you can disable automatic maximum power point tracking and configure the reference voltage level the Charge Controller operates from. Configuring the reference voltage is not required for normal operation, but can be useful for non-PV applications or for testing purposes.

The Input Menu is an advanced menu item. To display the Input Menu, go to the Display Menu, view the Display Mode screen and select Advanced. See “Configuring the LCD” on page 3–16.

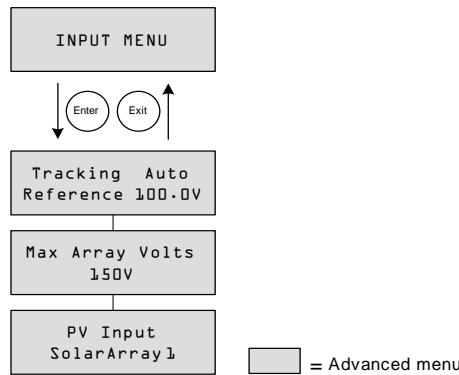


Figure 3-4 Input Menu

Table 3-4 Input Menu Values

Setting	Values	Default	Description
Tracking Auto Reference 100.0V	Auto, Manual 0.0–150.0V	Auto, n/a	Line 1: Enables (Auto) or disables (Manual) MPPT. Line 2: When tracking is set to Manual, you can select the reference voltage the Charge Controller operates from. When tracking is set to Auto, the reference voltage updates to reflect tracking activity.
Max Array Volts 150V	0–200	n/a	Records the maximum input voltage from the array during the lifetime of the Charge Controller. You cannot reset this screen.
PV Input	SolarArray 1–16	SolarArray1	Sets the input connection for the Charge Controller.

Configuring the Auxiliary Output

The Aux Menu allows you to enable and configure the auxiliary output. The auxiliary output provides between 5 and 13 volts DC (configurable) and up to 200 milliamps to power a relay, indicator light, vent fan, or alarm.

The Aux Menu is an Advanced Menu item. To display the Aux Menu, go to the Display Menu, view the Display Mode screen and select Advanced. See “Configuring the LCD” on page 3–16.

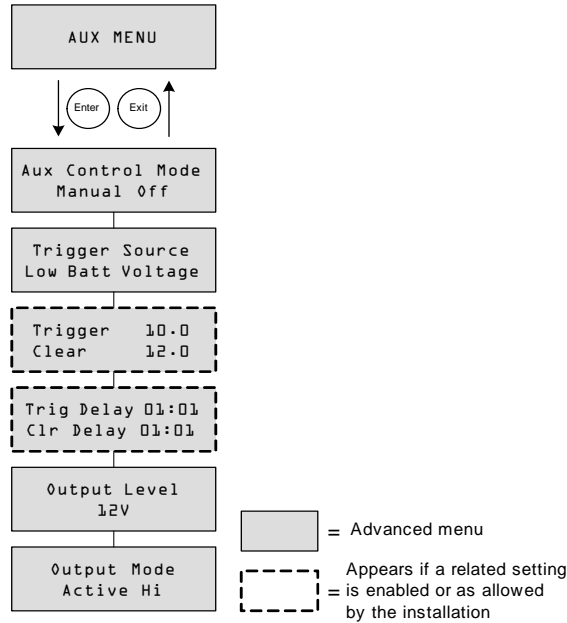


Figure 3-5 Aux Menu

Table 3-5 Aux Menu Values

Setting	Values	Default	Description
Aux Control Mode ManualOff	Manual Off, Manual On, Automatic	Manual Off	Sets the operating mode for the auxiliary output. When set to Automatic, the auxiliary output will turn on or off according to the selected Trigger Source. You can turn the auxiliary output on or off at any time by selecting ManualOn or ManualOff.

Table 3-5 Aux Menu Values

Setting	Values	Default	Description
Trigger Source Low Batt Voltage	Low Batt Voltage, Hi Batt Voltage, Hi Array Voltage, Low Batt Temp, Hi Batt Temp, Hi Heat Sink Temp, Fault	Low Batt Voltage	Selects the desired condition to activate the Aux Output.
Trigger 10.0 Clear 12.0	Depends on Trigger Source (see Table 3-6)		Line 1: Selects the battery or array voltage to activate Aux Output. If the selected Trigger Source is Hi Batt Temp, Low Batt Temp, or Hi Heat Sink Temp, this screen displays Trigger Temperature Level in degrees Celsius. Line 2: Selects the battery or array voltage to turn off the Aux Output. If the selected Trigger Source is Hi Batt Temp, Low Batt Temp, or Hi Heat Sink Temp, this screen displays Clear Temperature Level in degrees Celsius. This screen is hidden if the trigger source is set to Fault.
Trig Delay 00:00 Clr Delay 00:00	00:00–09:59 (mm:ss format)	00:00	Line 1: Selects how long the selected trigger source must be active before the Aux Output activates. This can avoid unnecessary triggering by momentary loads. Line 2: Selects how long the trigger condition must remain inactive before the Aux Output turns off. This screen is hidden if the trigger source is set to Fault.
Output Level 12V	5V–13V	12V	Selects the active high auxiliary output voltage (the active low output voltage is 0 V).
Output Mode Active Hi	Active Hi, Active Lo	Active Hi	Sets the mode (polarity) of the aux output. When Active Hi is selected, the aux output turns on when the trigger source is present. When Active Lo is selected, the aux output turns off when the trigger source is present.

Important: If the selected trigger source is Low Batt Voltage or Hi Batt Voltage, changing the nominal battery voltage setting will reset the Trigger Voltage Level and Clear Voltage Level settings to their default values.

Trigger Source Descriptions

Low Batt Voltage Activates the auxiliary output when the battery voltage falls below the trigger setting for the trigger delay time. Deactivates the auxiliary output when the battery voltage rises above the clear setting for the clear delay time. Use this setting if you want the auxiliary output to control a relay to disconnect loads from a battery that is nearly discharged, or to activate a low-battery-voltage alarm such as a buzzer or light.

Hi Batt Voltage Activates the auxiliary output when the battery voltage rises above the trigger setting for the trigger delay time. Deactivates the auxiliary output when the battery voltage falls below the clear setting for the clear delay time. This setting is useful for:

- installations that have another external charging source such as a wind generator or hydro generator connected directly to the batteries. The Charge Controller auxiliary output can control a relay to disconnect the external charging source from the battery when the battery is in danger of being overcharged, or control a relay to turn on a diversion load.
- activating a high-battery-voltage alarm such as a buzzer or light.
- activating a vent fan to disperse hydrogen from the battery compartment when the batteries reach their gassing voltage.

Hi Array Voltage Activates the auxiliary output when the PV array voltage rises above the trigger setting for the trigger delay time. Deactivates the auxiliary output when the PV array voltage falls below the clear setting for the clear delay time. Use this setting if you want the auxiliary output to control a series latching relay to disconnect the PV array from the Charge Controller or trigger an alarm when the PV array voltage exceeds the trigger setting (the Charge Controller maximum operating voltage is 140 Vdc).

You can also use the Hi Array Voltage trigger to control a relay to turn on a night light. Set the Trigger Level to your nominal battery voltage and the Output Mode to Active Lo. This will energize the relay and turn on the light whenever the array voltage is insufficient to charge the battery bank.

Low Batt Temp Activates the auxiliary output when the battery temperature falls below the trigger setting for the trigger delay time. Deactivates the auxiliary output when the battery temperature rises above the clear setting for the clear delay time. Battery temperature is measured with a battery temperature sensor. Do not use this setting if a battery temperature sensor is not installed. With this setting, the auxiliary output can turn on an indicator alarm if the batteries are too cold. A battery with frozen electrolyte will not accept a charge.

Hi Batt Temp Activates the auxiliary output when the battery temperature rises above the trigger setting for the trigger delay time. Deactivates the auxiliary output when the battery temperature falls below the clear setting for the clear delay time. Battery temperature is measured with a battery temperature sensor. Do not use this setting if a battery temperature sensor is not installed. With this setting, the auxiliary output can turn on a fan to cool the battery compartment.

Hi Heat Sink Temp Activates the auxiliary output when the Charge Controller heat sink temperature rises above the trigger setting for the trigger delay time. Deactivates the auxiliary output when the heat sink temperature falls below the clear setting for the clear delay time. This setting can be used to trigger an alarm.

Fault Activates the auxiliary output when a fault occurs. This setting can be used to turn on an alarm or indicator light. When Fault is selected as the trigger source, there is no programmable trigger level or clear level. You also cannot select a specific fault as an auxiliary output trigger.

Trigger Source Configurable Ranges

This table contains the available configuration ranges and default settings for each Trigger Source. The units, whether voltage or temperature, vary according to the Trigger Source selected. If the selected Trigger Source is a Battery Voltage, the range also varies according to the nominal battery voltage of your system.

Important: Changing the Trigger Level resets the auxiliary output. If an auxiliary output trigger is active, changing the trigger level will clear the trigger.

Table 3-6 Trigger Source Configuration Ranges

Trigger Source	Range	Default Trigger	Default Clear
Low Batt Voltage	12V: 5–13V	11V	12V
	24V: 10–26V	22V	24V
	36V: 15–39V	33V	36V
	48V: 20–52V	44V	48V
	60V: 25–65V	55V	60V
Hi Batt Voltage	12V: 12–16V	14V	13V
	24V: 24–32V	28V	26V
	36V: 36–48V	42V	39V
	48V: 48–64V	56V	52V
	60V: 60–80V	70V	65V
Hi Array Voltage	10–145V	140V	130V
Hi Batt Temp	30.0–60.0 C	45.0 C	35.0 C
Low Batt Temp	-30.0–10.0 C	0.0 C	5.0 C
Hi Heat Sink Temp	50–95 C	75 C	70 C

Configuring the LCD

On the Display Menu you can adjust the screen settings for the LCD, define Custom Screens, and select to view Basic or Advanced menus.

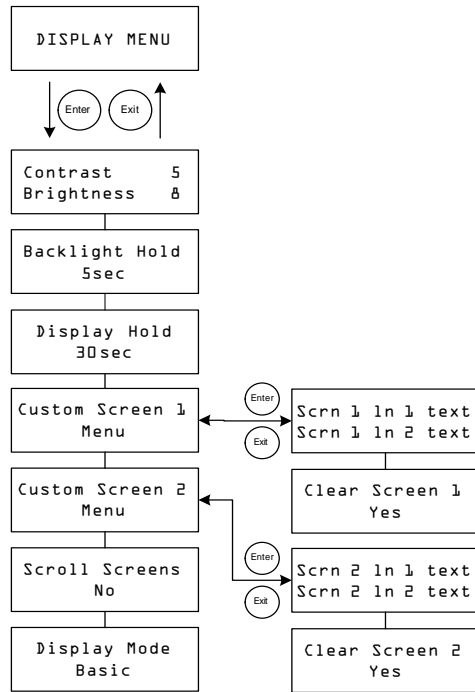


Figure 3-6 Display Menu

Table 3-7 Display Menu Values

Setting	Values	Default	Description
Contrast 5	1–9	5	Line 1: Adjusts screen contrast.
Brightness 8	1–9	8	Line 2: Adjusts backlight brightness.
Backlight Hold 5sec	0, 5sec, 10sec, 30sec, 1min, Always On	5 sec	Adjusts how long the backlight stays on after the last key press. When 0 is selected, the backlight never turns on. ^a
Display Hold 30sec	10sec, 30sec, 1min, 5min, 10min	30sec	Adjusts how long the LCD displays the current screen before returning to the default home screen.
Custom Screen 1 Menu	n/a	n/a	Allows you to define a custom screen. Press Enter to enter Custom Screen text.
Custom Screen 2 Menu	n/a	n/a	Allows you to define a custom screen. Press Enter to enter Custom Screen text.
Scroll Screens Yes	Yes, No	No	Sets the home screens to scroll automatically (once every 4 seconds).
Display Mode Basic	Basic, Advanced	Basic	Displays basic or advanced configuration menus.

a.Note: It is not recommended to leave the Backlight Hold setting at “Always On” for extended periods of time. The backlight consumes an extra 0.5 watts of power from the battery. As well, turning the backlight off when not in use increases the lifespan of the backlight.

Device Menu

On the Device Menu you can change the operating mode of the Charge Controller and view the Charge Controller's device number. Both these activities may be necessary for service or diagnostics, or when adding another Xanbus-enabled device to the system.

The Device Menu is an advanced menu item. To display the Device Menu, go to the Display Menu, view the Display Mode screen and select Advanced.

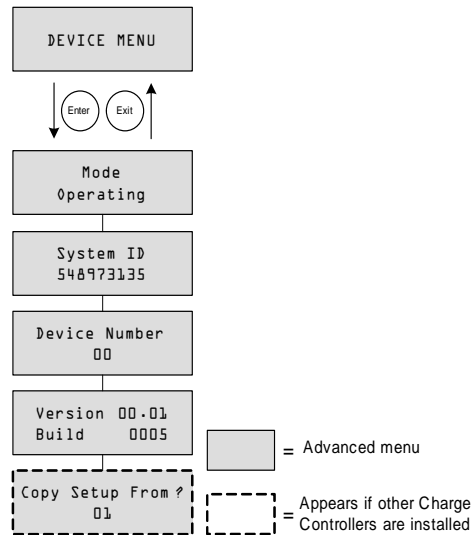


Figure 3-7 Device Menu

Table 3-8 Device Menu Values

Setting	Values	Default	Description
Mode Operating	Operating, Standby, Hibernate	Operating	Operating is the normal mode for the unit. Standby disables the output by disconnecting the main power circuit from the battery. The unit cannot charge. The unit still draws some power from the battery to operate. The LCD stays on. Hibernate performs the same actions as Standby, but it also disables all Xanbus network communications.
Device Number 00	00 to 31	00	Displays the device number for the Charge Controller. This number is selected when the Charge Controller is first powered up, and uniquely identifies devices of the same type (Charge Controllers, Inverter/Chargers, control panels, and so on) in a networked installation.
System ID 548973135	n/a	n/a	Xanbus system ID.
Version 01.00 Build 0005	n/a	n/a	Firmware version and firmware build number. This screen is identical to the screen shown at startup.
Copy Setup From? 01	All available device numbers.	01	Enables one-step configuration of a new Charge Controller in a multi-unit installation. Select the device number of the unit you wish to copy the setup from. This screen is hidden when no compatible devices are found. The “Copy Setup From?” command copies all Battery Menu settings and Custom Battery Menu settings from the selected unit.

Resetting to Factory Defaults

On the Reset Menu you can restore factory default settings. The Reset Menu is an advanced menu item. To display the Reset Menu, go to the Display Menu, view the Display Mode screen and select Advanced.

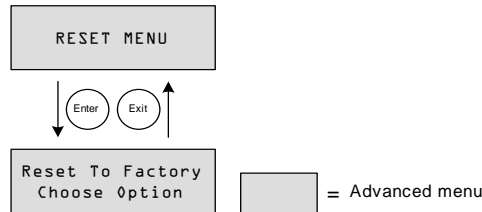


Figure 3-8 Reset Menu

Table 3-9 Reset Menu Values

Setting	Values	Default	Description
Reset to Factory Choose Option	Choose Option, Aux Settings, Everything	Choose Option	Returns configurable settings to factory defaults. Choose Option is a prompt to select a value. You must select this before selecting which value (Aux Settings or Everything) to reset. Aux Settings resets all values on the Aux Menu. Everything resets all configurable values to factory defaults.

Selecting Everything resets all of the:

- Configurable battery/charger settings
- Configurable Auxiliary Output settings
- Configurable display settings (including contrast, backlight brightness, and scrolling screens)
- Daily and monthly history log entries
- Custom LCD screens
- Total production readings for the unit (not including the lifetime production values).

4

Operation

Chapter 4 contains information about the operation of the XW Series Solar Charge Controller.

For Information on:	See:
“Viewing Operating Status”	page 4-2
“Monitoring Charge Controller Operation”	page 4-7
“Battery Equalization”	page 4-13

Viewing Operating Status

The Charge Controller has four buttons and a 2-line, 16 character liquid crystal display (LCD) for configuration and displaying system information and operating status.

- When in Charge Control mode the LCD shows the output power, voltage and current (and additional information as shown in Figure 4-1 on page 4–2).
- When a fault condition exists, the LCD shows “Fault Active.”
- When battery equalization is taking place, the LCD shows “Equalization Pending” (when bulk/absorption charging prior to equalization) and “mm:ss remaining” while applying the equalization charge.

LCD Screens and What They Mean

The front panel display shows different message screens during startup and normal operations. Figure 4-1 shows the sequence in which the Startup and Operating screens are displayed or can be viewed.

All of these message screens are described in more detail in the following sections.

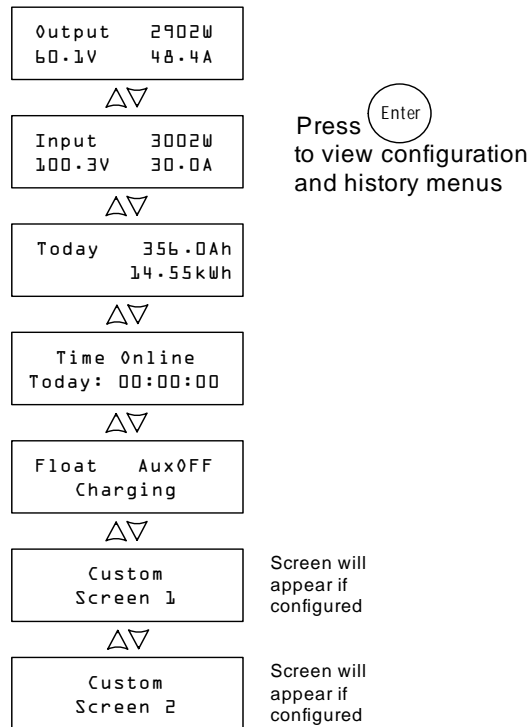


Figure 4-1 Operating Screens

Normal Operation

All readings on the Charge Controller LCD are refreshed every two seconds. A default top-level display is available at all times (see Table 4-1). The additional screens can be displayed by pressing the down arrow or up arrow button. You can also configure the Charge Controller to scroll through each operating screen in sequence (changing every four seconds). See “Configuring the LCD” on page 3–21.

Table 4-1 Default Operation Screen

Display ^a	Description
Output 2902W 60.1V 48.4A	Power being produced by the Charge Controller now. Measured output voltage and output current.

a.All numbers in this table and following tables are examples only. Your unit’s details and performance data will vary.

If there is sufficient energy from the PV array, the default operation screen is displayed while the Charge Controller is charging or not charging (in the “no float” stage when configured for two-stage charging).

When more than one Charge Controller is installed and connected to the Xanbus network, the default operation screen appears as shown in Table 4-2.

Table 4-2 Multi-Unit Default Operation Screen

Display	Description
System 23825W 55.6V 428.5A	Power being produced by the system now. Total measured output voltage and output current of all units in the system.

You can view more operation screens by pressing the down arrow button. The screens appear in the order shown in Table 4-3.

Each screen is displayed for a maximum of 30 seconds. If you do not press a button during that time period, the LCD shows the default operation screen again.

Table 4-3 Other Operation Screens

Display	Description
System 4500Ah Today 247.5kWh	Accumulated amp-hours and kilowatt-hours produced by multiple Charge Controllers today. This screen appears only when multiple Charge Controllers are installed in a network.
Input 3002W 100.3V 30.0A	Measured input power, voltage, and current.
Today 356.0Ah 22.5kWh	Accumulated amp-hours and kilowatt-hours produced today by the individual unit.
Time Online Today: 00:00:00	Time the unit has been producing power today, in hours, minutes, and seconds.
Float AuxOFF Charging	This Status screen changes according to the state of the Charge Controller. Line 1: Charge stage and auxiliary output state (ON or OFF). See “Charge Stages” on page 4–5. Line 2: Dynamic text that changes depending on unit state, warning or fault status, or equalization mode. See “Dynamic Text” on page 4–6. When equalizing, when a fault or warning is active, or when input voltage is low, this screen replaces the top-level default operation screen.
Custom Screen 1	User-defined custom screen text (configured on the Display Menu). This screen only appears if it has been configured.
Custom Screen 2	User-defined custom screen text (configured on the Display Menu). This screen only appears if it has been configured.

Charge Stages

The charge stages displayed on the LCD are described in Table 4-4.

Table 4-4 Charge Stages

Text	Description
Bulk	Batteries are charging at the maximum current output of the DC source. If the Charge Controller shuts down because of low input voltage, the unit restarts in bulk mode. This means the Charge Controller starts in bulk at the beginning of every day, regardless of the present battery voltage. If the batteries are charged already, the bulk/absorption cycle finishes after a short period and the unit transitions to float/no float (depending on Charge Cycle configuration).
Absorb	After transitioning from bulk mode, the Charge Controller holds the battery voltage at the absorption voltage setting and the current gradually declines as the battery capacity is reached. The Charge Controller stops absorption charging when three conditions are met, as described in “Absorption Stage” on page 1–5.
Float	Battery voltage is held at the float voltage setting. When the battery voltage drops below the ReCharge Volts setting for a cumulative period of 1 minute, a new bulk cycle will be triggered.
No Float	The charger does not output any power during this stage. When the battery voltage drops below the ReCharge Volts setting for a cumulative period of 1 minute, a new bulk cycle is triggered.
Equalize	A deliberate overcharge designed to return each battery cell to optimum condition by reducing sulfation and stratification in the battery. An equalization charge lasts one hour. During the Equalize stage, this screen becomes the top-level screen. The screen displays the equalization time remaining in minutes and seconds.
ChgrOff	No charging is occurring because the input power from the PV array has fallen below the battery voltage.

Dynamic Text

The text that appears on the second line of the charge mode screen is described in Table 4-5.

Table 4-5 Dynamic Text

Text	Appears When...
Charging	The charge stage is Bulk, Absorb, or Float.
Not Charging	Two-stage charging is selected and the Charge Controller is in the No Float stage.
Warning Active	A warning condition is present (see Active Faults and Warnings screen). For more information about the warning, press Enter to view the Active Faults and Warnings screen.
Fault Active	A fault condition is present (see Active Faults and Warnings screen). For more information about the fault, press Enter to view the Active Faults and Warnings screen.
Equalize Due	The Equalize Reminder is set and the equalize reminder time has elapsed.
Equalize Pending	Equalization is activated, but equalization has not begun because the unit is still in bulk or absorption.
mm:ss Remaining	Equalization has begun, indicating how much time remains until equalization is complete.
Standby Mode	The MPPT is off because the Charge Controller has entered Standby mode through the Device Menu or the XW System Control Panel.
Hibernate	The MPPT is off and Xanbus communications have stopped because the Charge Controller has entered Hibernate mode through the Device Menu or the XW System Control Panel.
Restart Pending	The Charge Controller is ready to restart but waiting for the timeout period to expire. This condition is normally only observed at dusk and dawn.
Low Light	The Charge Controller cannot charge because the PV array voltage is too low. ^a The Low Light message can appear during any charge stage.
Thermal Derating	The Charge Controller is thermally derating its output because its internal temperatures have exceeded their recommended levels. This condition should only happen if the unit is operating at full power and the ambient temperature around the unit is very high (exceeding 45 °C).

a. Battery voltage plus a factor of 0.25 V per 12 V. For example, in a 24 V system, if the battery voltage is 27.0 V and the PV array is producing 27.4 V, the Low Light message appears. The Low Light message clears when the input voltage rises above the battery voltage plus a factor of 1 V per 12 V.

Monitoring Charge Controller Operation

During operation, you may want to view Active Fault and Warning messages and logged power production data. This information is available on the configuration and history menus.

To view configuration and history menus, press Enter from any Operating screen.

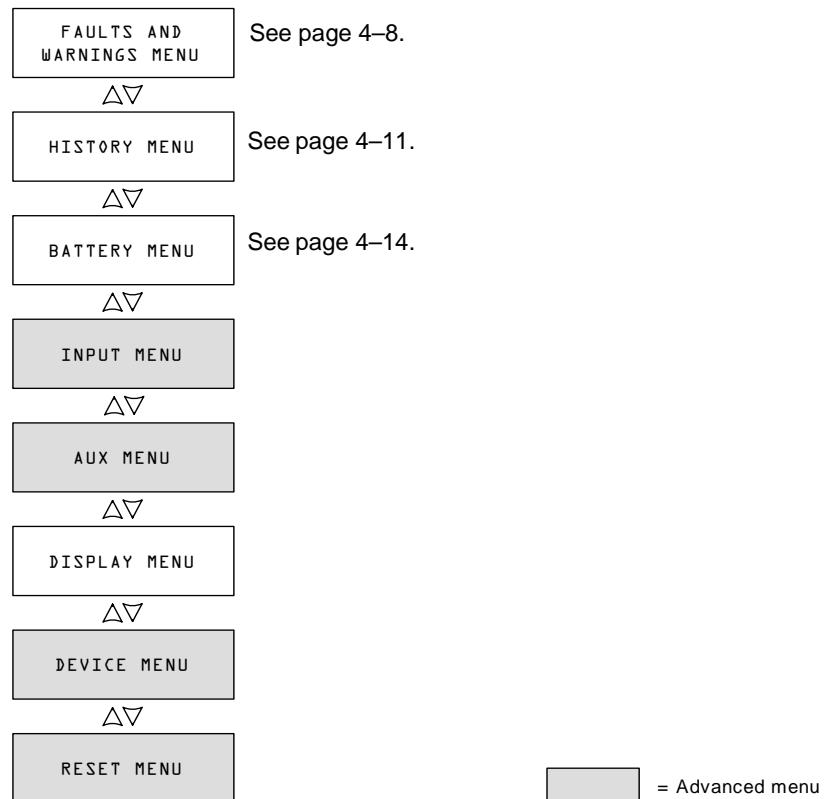


Figure 4-2 Configuration and History Menus

Viewing Active Faults and Warnings

You can view active faults and warnings from the Faults and Warnings Menu.

Note: The Faults and Warnings menu is visible only when the Charge Controller has one or more active faults or warnings.

Warning messages indicate a problem that could affect normal operation. “Warning Active” appears on the LCD to notify you of the warning condition. Normal operation continues until the warning condition:

- clears and normal operation continues
- escalates to a fault condition.

Fault messages indicate a fault condition. When a fault occurs, the Charge Controller:

- displays “Fault Active” on the LCD
- disables the MPPT and charging functions
- opens the relay that connects its power circuits to the battery bank.

The only fault that does not disable normal Charge Controller operation is the Auxiliary Output Overload Fault. The Auxiliary Output Overload Fault only disables the auxiliary output. Other Charge Controller functions continue operating. The Ground Fault disables the auxiliary output as well as normal Charge Controller operation.

Most warnings and faults clear automatically once the condition that caused them goes away. The only exceptions are the Auxiliary Output Overload Fault and the Ground Fault. The Auxiliary Output Overload Fault must be cleared manually. The Ground Fault requires you to correct the ground fault and restart the system. For more information, see Troubleshooting.

To view the complete list of active faults and warnings:

1. Press Enter on the Active Faults and Warning Menu screen.
2. Press the down button to view additional fault or warning messages.

If there are no active faults and warnings, no messages are displayed after you press Enter from the Active Faults and Warnings screen.

To manually clear a fault:

1. Identify the active fault from the Active Faults and Warning Menu.
The two faults you can manually clear are “Batt Under Volt” (except when the battery voltage has fallen below 10 V) and “Aux Output Ovld.” and See Table 4-6 for descriptions of these faults.
2. Press Exit to return to the Active Faults and Warnings Menu, then press the down arrow to view the Clear Fault screen.
“Batt Under Volt” is displayed first.
3. Press Enter to view the cursor.

4. Press Enter again to clear the “Batt Under Volt” fault.

Or

Press the down arrow to select the “Aux Output Ovld” fault, then Enter to clear it.

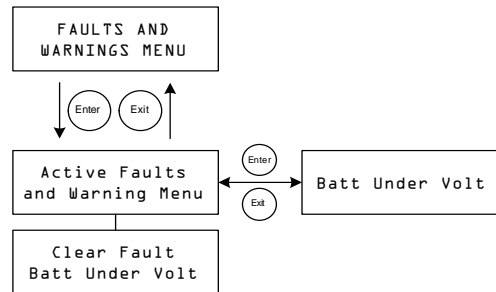


Figure 4-3 Faults and Warnings Menu

Table 4-6 Fault and Warning Messages

Display	Description
Input Over Voltage Warning	During operation, the Charge Controller continuously monitors the input voltage. If the voltage exceeds 137 Vdc (± 1 V) for one second, the Charge Controller displays an Input Over Voltage Warning. The warning clears itself when the voltage falls to 134 Vdc for 1 second.
Input Over Voltage Fault	During operation, the Charge Controller continuously monitors the input voltage. If the voltage exceeds 142 Vdc (± 1 V), the Charge Controller instantly registers an Input Over Voltage Fault. The detection circuitry is faster than breakers or fuses, and they will not trip or blow when a fault occurs. The fault clears itself when the voltage falls to 140 Vdc for 5 seconds.
Battery Over Voltage Fault	Battery Over Voltage Fault appears when the battery voltage becomes abnormally high and the Charge Controller stops charging to protect the batteries. The fault occurs when battery voltage rises above the nominal voltage plus: <ul style="list-style-type: none"> • 4.5 V per 12 V (for example, above 33 V in a 24 V system) for 1 second. • 5.5 V per 12 V for 20 milliseconds. The fault clears when battery voltage falls to the nominal voltage plus 3.5 V per 12 V for 10 seconds.

Table 4-6 Fault and Warning Messages

Display	Description
Batt Under Volt	<p>The Batt Under Volt (Battery Under Voltage) Fault appears when the battery voltage falls to the nominal battery voltage, minus 4 V per 12 V (for example, below 32 V in a 48 V system) for 1 second. The fault clears when battery voltage rises to the nominal battery voltage, minus 3 V per 12 V for 2 seconds. You can also clear this fault manually, except when battery voltage falls below the minimum Charge Controller operating voltage of 10 V.</p> <p>The Battery Under Voltage fault notifies you if the Charge Controller is configured with the incorrect battery voltage. If this fault appears, check that the “Battery Voltage” setting is correct for your system. If the Battery Voltage setting is incorrect, correct the setting under the Battery Menu. When battery voltage is set properly, the fault will clear itself.</p> <p>If the battery voltage setting is already correct, then the batteries are excessively discharged. In this case, you can manually clear the fault and let the Charge Controller charge the batteries when sufficient solar power is available. You can also shut off any loads connected to the system and charge the batteries with another charger.</p>
Output Over Current Fault	<p>Output Over Current Fault appears when the output current rises above approximately 90 A.</p> <p>The fault clears when output current falls below 5 A for three seconds.</p>
Unit Over Temperature Flt	<p>The Charge Controller monitors its internal temperatures to protect components from high temperature damage. If the internal temperatures rise above 203 °F (95 °C) while operating in Charge mode, the Charge Controller registers a fault and stops producing power. The fault clears when the internal temperature falls to 185 °F (85 °C) for at least 10 seconds.</p>
Battery Over Temperature Flt	<p>Battery Over Temp Fault appears when the battery temperature reaches 140 °F (60 °C). The fault clears when the battery temperature falls to 131 °F (55 °C).</p>
Battery Setup Conflict Fault	<p>Battery Setup Conflict Fault appears when you have configured:</p> <ul style="list-style-type: none"> • more than one charging device on the same battery bank with an inconsistent nominal battery voltage setting • an inconsistent battery type setting.
Aux Output Ovlld	<p>Auxiliary Output Overload Fault. This fault appears when too much current is being drawn from the auxiliary output. The fault triggers when the auxiliary output voltage falls more than 1 V below the auxiliary output voltage for three seconds.</p>
Ground Fault	<p>Ground Fault appears when a ground fault causes the ground fault protection (GFP) fuse to blow. The Ground Fault message clears after system power is removed, the ground fault is corrected, the GFP fuse is replaced, and system power is restored. See Troubleshooting.</p>

Viewing Logged System Data

The Charge Controller stores accumulated operating data for viewing on the History menu. You can also reset some of the logged data on the History menu.

On the History Menu you can view logs for daily, monthly, or lifetime power production.

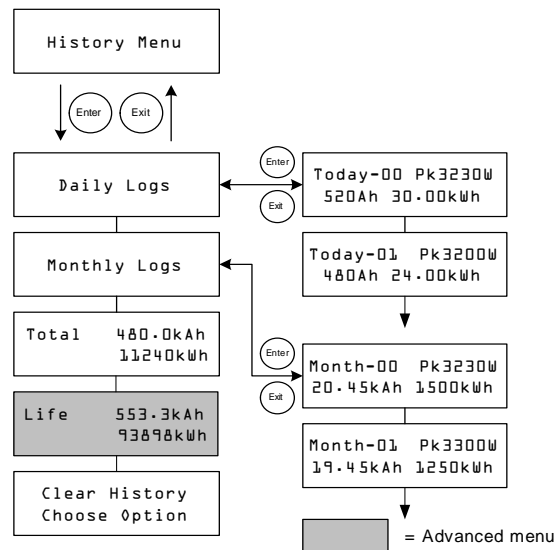


Figure 4-4 History Menu

Table 4-7 History Menu Items

Item	Description
Daily Logs	Press Enter to view the Daily logs (see page 4–12). Each Daily log contains the day’s accumulated Watt-hours, Amp-hours, and the peak watts recorded that day.
Monthly Logs	Press Enter to view the Monthly logs (see page 4–12). Each Monthly log contains 30 days of accumulated Watt-hours, Amp-hours, and the peak watts recorded during that 30-day period.
Total 480.0kAh 411240kWh	Displays the total Amp-hours and kilowatt-hours produced since the last screen reset. You can reset these totals by selecting Total on the Clear History screen.
Life 553.3kAh 93898kWh	Displays the total kilo-amp-hours and kilowatt-hours produced since installation. These totals cannot be reset.
Clear History Choose Option	Resets logged information to zero. Options available are Daily Logs, Monthly Logs, Total, All. You can clear all the daily logs and all monthly logs. You cannot clear logs for individual days and months.

Daily Logs

To view the daily logs stored in memory, press Enter from the Daily Logs screen, then press the down arrow button to view each log, starting with the most recent. On the log screen, the current day is “Today-00,” yesterday is “Today-01,” and so on. See Figure 4-4.

The Charge Controller stores up to 30 daily logs. After 30 days, the oldest daily log is overwritten with the newest log.

After logging 30 daily logs, the Charge Controller totals the collected data and creates a new monthly log.

Monthly Logs

To view the monthly logs stored in memory, press Enter from the Monthly Logs screen, then press the down arrow button to view each log, starting with the current month. On the log screen, the current month is “Month-00,” the previous month is “Month-01,” and so on. See Figure 4-4.

Monthly logs consist of the total data from the previous 30 daily logs. To the Charge Controller, a “month” is a 30-day period, and does not match the months of the calendar.

The Charge Controller stores up to 12 monthly logs. After 12 months the oldest monthly log is overwritten with the newest log.

Battery Equalization

Equalization charging is the process of deliberately charging a battery (or battery bank) at a high voltage for a set period of time. Equalize charging remixes the electrolyte, helps to remove sulfate buildup on the battery plates, and balances the charge of individual cells.

Be sure to read all cautions and warnings regarding equalization charging batteries before allowing an equalization charge to occur.

Important: The Charge Controller maximum output voltage is limited to 72 V for a 60 V battery system, and so is unable to equalize a 60 V battery system.

Important: In a system where more than one device is capable of equalizing batteries (such as a system including multiple Charge Controllers and XW Inverter/Chargers), there is no system-wide equalization command for all devices. To equalize with multiple devices, each would have to be enabled individually. Alternatively, equalization can be performed using only one device. During the equalization process, one device applies the equalization charge while the other devices continue to operate in synchronized charge mode, typically in float (three-stage charging) or no-float (two-stage charging).



WARNING: Explosive gases

Equalization generates explosive gases. Ensure adequate ventilation.



CAUTION: Batteries may be damaged

Never equalize a battery more than necessary. Equalization can damage your batteries if performed too frequently or done improperly. Always check electrolyte level before *and* after equalization. Fill with distilled water according to the battery manufacturer's recommendation.

The Charge Controller enables equalization only when the battery type is set to "Flooded." Equalize mode is disabled if you have selected "GEL" and "AGM" as the battery type. As a general rule, do not equalize a battery unless there are provisions to add water to it and the manufacturer recommends equalization.



CAUTION: Risk of damage to DC load equipment

The equalization voltage significantly exceeds the nominal voltage of the battery. Disconnect sensitive loads from the battery before equalizing.

Follow the battery manufacturer's recommendations for equalizing your batteries. As a guide, a heavily used flooded battery may need to be equalized once a month, and a battery in light service may only need to be equalized every two to four months.

You can set an equalization reminder on the Battery Menu. See page 3–6.

The equalization process lasts for one hour. When the equalization period had finished, the Charge Controller will return to either the float or no float charge stage.

To manually begin battery equalization:

1. From the Battery Menu screen, press Enter.
2. On the Equalize screen, select Activate.

If the battery is in the float or no float stage, the Charge Controller goes back to the bulk stage and goes through a full charge cycle before entering the Equalization stage. The LCD displays “Equalization Pending” while the Charge Controller performs this full charge cycle. The full charge cycle ensures that the batteries are fully charged before an equalization is attempted.

The Operating screen appears, indicating how much time, in minutes and seconds, remains in the equalization process.

The Charge Controller applies the equalization charge for one hour. You can also stop the equalization process manually.

If conditions prevent the PV array from producing enough power for the Charge Controller to provide an equalization charge, the equalization timer continues running. If conditions continue to make it difficult to complete a full equalization charge, use another device, such as an inverter/charger, to perform battery equalization.

To manually stop battery equalization:

1. From the Battery Menu screen, press Enter.
2. On the Equalize screen, select Stop.

Equalization stops, and the Charge Controller goes to either the Float or No Float stage, depending on the charge mode selected.

5

Troubleshooting

Chapter 5 contains information about identifying and resolving possible problems with systems using a Solar Charge Controller.

For Information on:

“PV Charge Control Troubleshooting”

See:

page 5-2

PV Charge Control Troubleshooting

Table 5-1 lists possible problems that may arise when using the Solar Charge Controller.

Table 5-1 PV Charge Control Problems

Problem	Possible Cause	Solution
The LCD shows “Low Light” under all conditions.	PV wires are connected in reverse polarity. The PV input has short circuited and input voltage is zero volts.	Verify PV polarity relative to battery negative.
Low panel output. Input and output voltages read about the same.	Array maximum power point is less than the nominal battery voltage. The Charge Controller is still charging, but cannot charge at V_{MPP}	Check or reconfigure the array.
Uneven output current between multiple Charge Controllers.	A. Solar arrays are supplying different amounts of current to each charge controller. B. Charging set points are not all set the same. C. Excess voltage drop in wiring causing controllers to measure the battery voltage differently and regulate accordingly. D. Chargers are in Constant Voltage (absorption) mode and therefore are limiting their output current to maintain the present battery voltage. In this situation, some units will produce more output current than others.	A. Check array output, but consider that this could be a normal operating condition if the arrays are located in different locations and/or point in different directions. B. Set controllers to the same settings. C. Check wiring. Upgrading or shortening the wire run may be required. D. No need for intervention, as this is a normal operating condition.
Battery voltage is exceeding Bulk and Float settings in cold weather and not reaching settings in hot weather.	BTS is compensating charging voltages based on battery temperature.	No problem. This is the intended operation.

Table 5-1 PV Charge Control Problems

Problem	Possible Cause	Solution
The LCD shows “Ground Fault” and the unit has stopped operating.	A ground fault has caused the ground fault protection (GFP) fuse to blow. A severe leakage between the PV array and earth ground has occurred.	See “Replacing the Ground Fault Protection Fuse”.

Replacing the Ground Fault Protection Fuse



WARNING: Shock and fire hazard

Fuses should only be replaced by qualified service personnel, such as a certified electrician or technician. For continued protection against risk of fire, replace only with same type and ratings of fuse.



WARNING: Shock hazard

After disconnecting power from the Charge Controller, wait five minutes before attempting any maintenance or cleaning or working on any circuits connected to the unit. Internal capacitors remain charged for five minutes after disconnecting all sources of power.



WARNING: Shock hazard

- Dangerous voltages can exist inside the Charge Controller. If there is leakage current from the ungrounded conductor to ground at the array, touching the grounded lead could cause a life-threatening shock.
- Cover PV arrays with an opaque material during this procedure.
- When the fuse has blown due to a fault, incorrect handling can be life-threatening. Use insulated tools.

The ground fault protection fuse blows when severe leakage occurs between the PV array and earth ground, or when the system has been installed with faulty wiring. Before replacing the fuse, it is important to have qualified service personnel, such as a certified electrician or technician, determine the cause of the ground fault.

To replace the ground fault protection fuse:

1. Remove the wiring terminals cover, as described on page 2–5.
The ground fault protection fuse is located behind the wiring terminals.
2. Remove the blown fuse and replace it with a new AC/DC midget cartridge, rated 600 Vdc, 1A (Littelfuse KLKD 1 or equivalent). Be careful not to damage the fuse clips, circuit board and surrounding components.
3. Replace the wiring terminals cover.

A

Specifications

Appendix A provides the specifications for the Solar Charge Controller.

For information on:	See:
“Electrical Specifications”	page A-2
“Default Battery Charging Settings”	page A-2
“Mechanical Specifications”	page A-3
“Output Power Versus Ambient Temperature”	page A-3
“Optional Accessories”	page A-4
“Regulatory Approvals”	page A-4

All specifications are subject to change without notice.

Electrical Specifications

Maximum PV Array Voltage (Operating)	140 Vdc
Maximum PV Array Open Circuit Voltage	150 Vdc
Array Short Circuit Current	60 Adc maximum
Nominal Battery Voltage	12, 24, 36, 48, 60 Vdc
Battery Voltage Range (Operating)	10 Vdc to 80 Vdc
Maximum Output Current	60 A (for all battery voltages except 60 V)
Maximum Output Power	3500 W
Auxiliary Output	5–13 V, up to 200 mA
Tare Loss/Nighttime Power Consumption	2.5 W
Charger Regulation Method	Three-stage (bulk, absorption, float) Two-stage (bulk, absorption)

Default Battery Charging Settings

All settings in the following table are based on a 12-volt nominal battery bank. For the other nominal voltages, scale the values in this table appropriately (48-volt systems would use voltages four times that of the values listed in this table). An exception to this is for equalize voltage on a 60-volt system. The maximum programmable output voltage is 72 volts, but a 60-volt system would need to be equalized at 80 volts. Therefore, the maximum equalize voltage is limited to 72 volts on a 60-volt system.

Setting	Battery Type		
	Flooded ^a	Gel	AGM
Equalize Voltage	16.0V	n/a	n/a
ReCharge Voltage	12.5 V	12.5 V	12.5 V
Bulk Voltage	14.4 V	14.2 V	14.3 V
Absorption Voltage	14.4 V	14.2 V	14.3 V
Float Voltage	13.5 V	13.8 V	13.4 V
Absorption Time	180 min	180 min	180 min
Batt Temp Comp	-27mV/C	-27mV/C	-21mV/C

a. When a Custom battery type is selected, the default settings are based on the Flooded battery type.

Mechanical Specifications

Enclosure Type	Indoor, ventilated, sheet metal chassis with $\frac{7}{8}$ " and 1" (22.22 mm and 27.76 mm) knockouts and aluminum heat sink
Maximum and Minimum Wire Size in Conduit	#6 AWG to #14 AWG
Operating Temperature Range (full power)	-4 to 113 °F (-20 to +45 °C)
Storage Temperature	-40 to 185 °F (-40 to +85 °C)
Altitude Limit (operating)	Sea level to 15,000 feet (4572 m) @ 15 °C
Dimensions (H × W × D)	14 ½ × 5 ¾ × 5 ½" (368 × 146 × 138 mm)
Mounting	Vertical wall mount
Weight (Controller only)	10.75 lb (4.8 kg)
Weight (Shipping)	13.75 lb (6.2 kg)

Output Power Versus Ambient Temperature

Once the Solar Charge Controller heat sink reaches maximum full-power operating temperature, the unit reduces its power output to ensure component ratings are not exceeded.

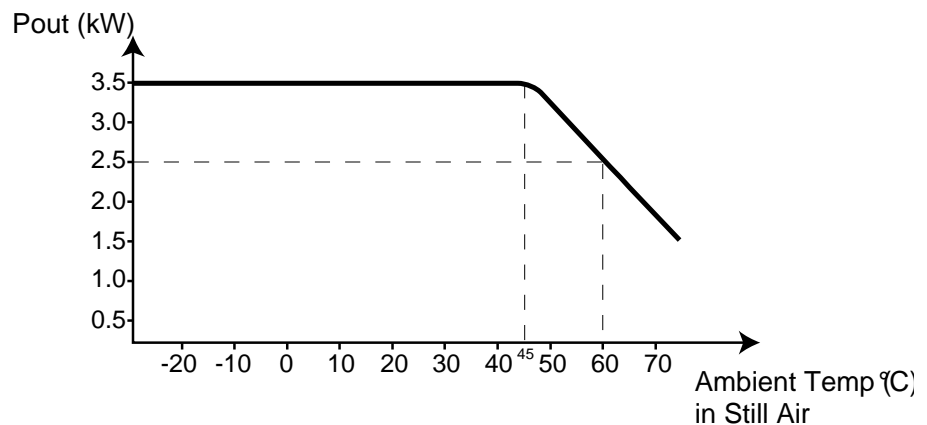


Figure A-1 Output Power vs. Ambient Temperature

Optional Accessories

XW System Control Panel	865-1050
XW Automatic Generator Start (accessory for XW Power System, with XW System Control Panel and XW Hybrid Inverter/Charger)	865-1060
Network cables	3 ft (0.9 m): 809-0935 5 ft (1.5 m): 809-0936 7 ft (2.0 m): 809-0937 10 ft (3.0 m): 809-0938 14 ft (4.3 m): 809-0939 25 ft (7.6 m): 809-0940 50 ft (15.2 m): 809-0941 75 ft (22.9 m): 809-0942
Network terminators	Male (2 per pack): 809-0901 Female (2 per pack): 809-0905

Regulatory Approvals

Certified to UL 1741:2005 and to CSA 107.1-01 and carries the c(CSA)us mark.

B

XW System Control Panel Menus

Appendix B is a guide to the Charge Controller monitoring and configuration menus on the XW System Control Panel. The System Control Panel may be installed if the Charge Controller is part of a power management system that includes an inverter/charger.

Using the XW System Control Panel

When the Charge Controller is installed in a network-managed power system, the Charge Controller can be configured using the System Control Panel II. All the configuration items described in the Configuration chapter are also available on the System Control Panel menus.

The System Control Panel has four buttons for navigating between screens and menus and configuring the Charge Controller. See Figure B-1 and Table B-1.

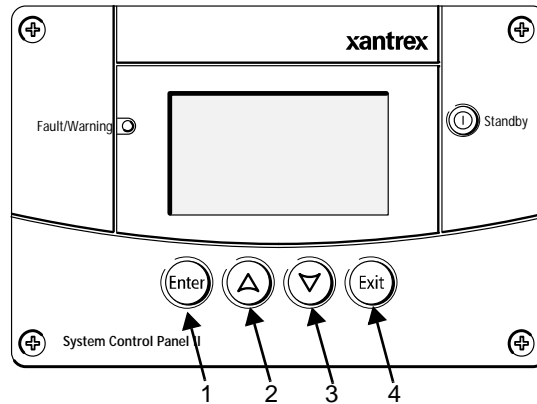


Figure B-1 XW System Control Panel

Table B-1 XW System Control Panel navigation buttons

Number	Button	Function
1	Enter	<ul style="list-style-type: none"> Confirms selection of a menu item Moves to the next screen
2	Up arrow	<ul style="list-style-type: none"> Scrolls up one line of text Increases a selected value
3	Down arrow	<ul style="list-style-type: none"> Scrolls down one line of text Decreases a selected value
4	Exit	<ul style="list-style-type: none"> Cancels selection of a menu item Returns you to the previous screen

Table B-2 Screen and menu descriptions

Screen or menu	Description
Startup screen	Appears for a few seconds after the system starts up or when the system has been reset.
System Home screen	Displays status information for the power system, consisting of all Xanbus-connected devices on a single network. The System Home screen appearance varies with the status of the inverter/charger and other Xanbus-enabled devices in the power system. The System Home screen always features a “Menu” arrow pointing to the Enter button. Pressing Enter takes you to the Select Device menu.
XW MPPT (Charge Controller) Home screen	Displays status information for the Charge Controller.
Select Device menu	Displays a list of Xanbus-enabled devices in the system, including the Charge Controller and the SCP. The length of this menu depends on how many Xanbus-enabled devices are installed in the system. This menu also contains the clock menu (where you can set the time and date) and the system settings menu (where you can change system modes). The System Panel, Clock, and System Settings menus are always available from the Select Device menu, regardless of the number of Xanbus-enabled devices installed.
XW MPPT Setup menu	Displays status information and changeable settings. Changeable settings are identified by the square brackets [] around values in the right-hand column.

Changing Settings Using the System Control Panel

If you need to change a Charge Controller setting, use the buttons on the System Control Panel to perform three basic steps:

1. View the Select Device menu.
2. Select the Charge Controller from the Select Device menu.
3. Select and adjust a changeable setting on the Charge Controller Setup menu. See page B-8.

Each of these three steps is described in detail in the following sections.

Note: You can also view the Charge Controller Setup menu by pressing Enter from the Charge Controller Home screen. See “Charge Controller Home Screen” on page B-10.

Viewing the Select Device Menu

The Select Device menu is where you select a Xanbus-enabled device to monitor or configure. The number of items on the Select Device menu depends on how many devices are installed in your Xanbus system.

To view the Select Device menu:

- u On the System Home screen, press Enter.

Important: You can always identify the System Home screen by the menu arrow in the bottom left corner of the screen. The menu arrow indicates the Enter button on the System Control Panel, which you press to view the Select Device menu.

Viewing the Charge Controller Setup Menu

On the Select Device menu, select the Charge Controller to view and change its settings.

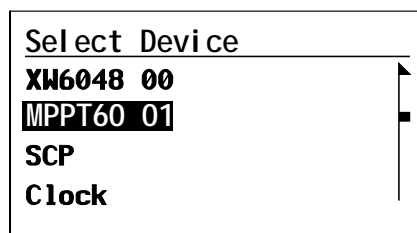


Figure B-3 Selecting the Charge Controller

To select the Charge Controller from the Select Device menu:

1. On the Select Device menu, use the down arrow button to highlight XW-MPPT60-150.
2. Press Enter.
The Setup menu appears.

The Charge Controller Setup Menu

The Setup menu allows access to the Meters screen and several other commands that control Charge Controller operation.

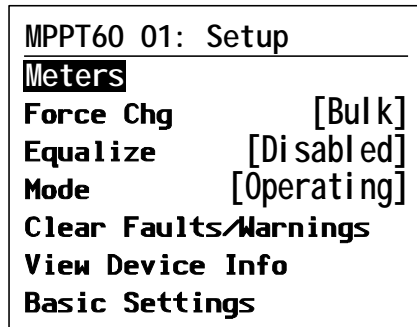


Figure B-4 Charge Controller Setup Menu

Table B-3 Charge Controller Setup Menu

Menu Item	Description
Meters	Displays the Meters screen.
Force Chg	Causes the current charge stage to change to the selected stage.
Equalize	Starts or stops battery equalization.
Mode	Selects the Charge Controller operating mode: Operating or Standby.
Clear Faults/ Warnings	Clears any active faults or warnings. If the fault or warning condition is still present, the fault or warning message may reappear.
View Device Info	Displays the Device Info screen. On the Device Info screen you can view the Warning Log, Fault Log and Event Log.
Basic Settings	Displays the Charge Controller Basic or Advanced configuration settings (to change to Advanced Settings, press Enter + up arrow + down arrow).

Configuration Settings

Basic menu The XW Inverter/Charger configuration settings can be viewed in Basic and Advanced formats (see Figure 3-5, “Basic and Advanced Settings” on page 3–8). The Basic settings include configuration items you may have to adjust routinely, or as part of initial setup.

Advanced menu The Advanced settings option gives you access to the full range of settings for the XW Inverter/Charger, including everything displayed on the Basic menu. As a safeguard against unintended advanced configuration, the XW Inverter/Charger displays the Basic settings by default. To view the Advanced settings, you must perform a special keypress. To display the Advanced menu:

- u Press the Enter + up arrow + down arrow buttons simultaneously.

The “Basic Settings” item changes to “Advanced Settings.”

After configuring the Charge Controller, to prevent unintended advanced configuration, use this keypress again to hide the Advanced menu.

Important: •

- This keypress displays Advanced settings for every device in the system.
 - After performing the keypress, “Advanced Settings” appears at the top of the Setup menu. When the keypress is performed again, the Setup menu displays “Basic Settings” as the last item on the menu.
-

The Charge Controller Configuration settings contain sub-menus for configuring:

- Multiple-unit operation
- Charger and battery settings
- Input settings
- Auxiliary output settings.

To view the Configuration settings:

- u From the Setup menu, with Basic Settings or Advanced Settings highlighted, press Enter.

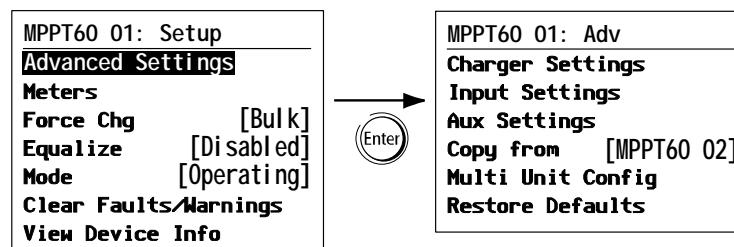


Figure B-5 Selecting the Configure Menu

For a map of all Charge Controller configuration menus, see Figure B-7 on page B–9.

Configurable settings are identified by the square brackets [] around the values along the right side of the screen.

To select and change a configurable setting:

1. On the desired configuration menu, press the up arrow or down arrow button to highlight the setting you want to change.
2. Press Enter to highlight the current value of the setting.
3. Press the up arrow or the down arrow button to change the value. Hold down the button to scroll through a large range of values quickly.

The previously set value appears with an asterisk (*) beside it.

4. Press Enter to select the value.
5. If you have another setting to change, return to step 1.

Or

If you have no more settings to change, press Exit until the SCP displays the desired screen or menu.

To restore Charge Controller default settings:

1. On the Configure menu, select Restore Defaults.
2. Press Enter.

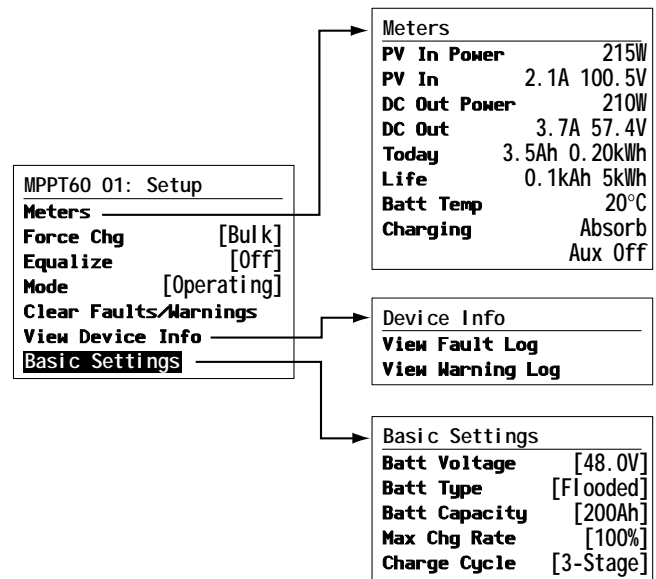


Figure B-6 Configuration Menus (Basic)

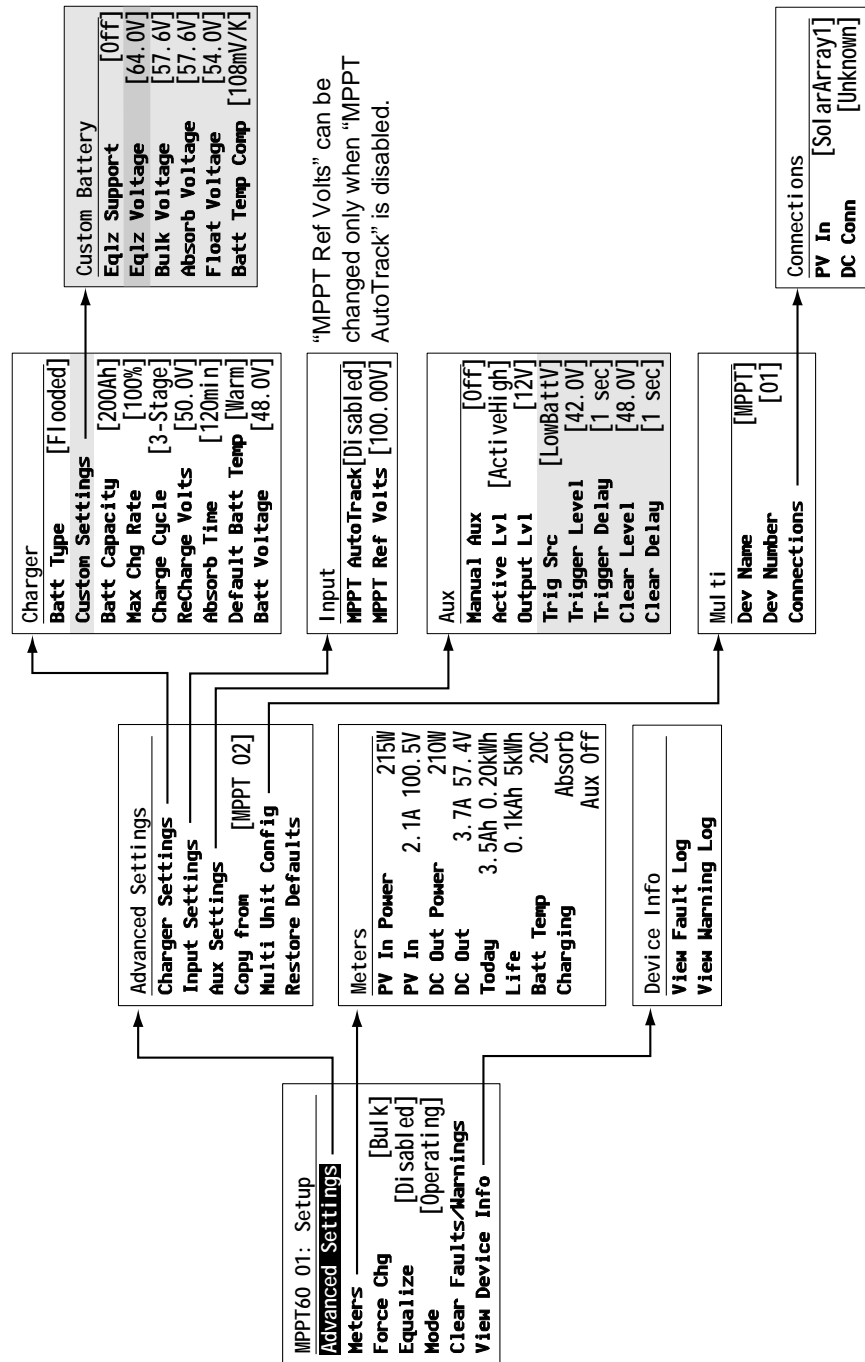


Figure B-7 Configuration Menus (Advanced)

Monitoring the Charge Controller

You can monitor Charge Controller operation on the System Control Panel by viewing the:

- Charge Controller Home screen
- Charge Controller Meters

Charge Controller Home Screen

The Charge Controller Home screen displays real-time operational data specific to the Charge Controller.

To view the Charge Controller Home screen:

- u From the System Home screen, press the down arrow until the Charge Controller Home screen appears.

To return to the System Home screen:

- u Press the Exit button, as indicated by the “system” arrow on the Charge Controller Home screen.

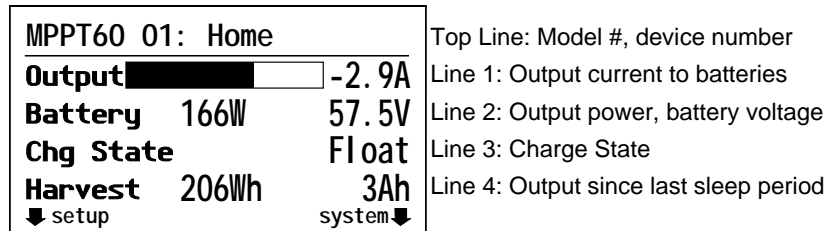


Figure B-8 Charge Controller Home Screen

The Charge Controller Home screen features a “setup” arrow pointing to the Enter button and a “system” arrow pointing to the Exit button. Pressing Enter takes you to the Charge Controller Setup menu. Pressing Exit takes you to the System Home screen.

Pressing the down arrow button takes you to the Home screens for the other Xanbus-enabled devices in the system.

Meters

You can monitor Charge Controller operation on the Meters screen. The Meters screen displays input and output power, battery temperature, charge stage, and total power production for that day and power production over the unit's lifetime.

You can select the Meters screen from the Charge Controller Setup menu.

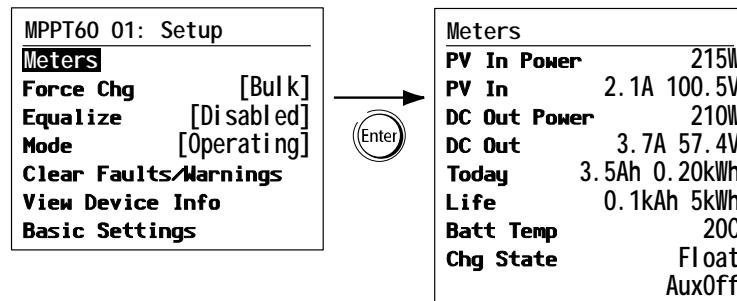


Figure B-9 Selecting the Meters screen

Warranty and Return Information

Warranty

What does this warranty cover? This Limited Warranty is provided by Xantrex Technology Inc. ("Xantrex") and covers defects in workmanship and materials in your Solar Charge Controller. This warranty period lasts for 5 years from the date of purchase at the point of sale to you, the original end user customer. You will be required to demonstrate proof of purchase to make warranty claims.

This Limited Warranty is transferable to subsequent owners but only for the unexpired portion of the Warranty Period. Subsequent owners also require original proof of purchase as described in "What proof of purchase is required?"

What will Xantrex do? Xantrex will, at its option, repair or replace the defective product free of charge, provided that you notify Xantrex of the product defect within the Warranty Period, and provided that Xantrex through inspection establishes the existence of such a defect and that it is covered by this Limited Warranty.

Xantrex will, at its option, use new and/or reconditioned parts in performing warranty repair and building replacement products. Xantrex reserves the right to use parts or products of original or improved design in the repair or replacement. If Xantrex repairs or replaces a product, its warranty continues for the remaining portion of the original Warranty Period or 90 days from the date of the return shipment to the customer, whichever is greater. All replaced products and all parts removed from repaired products become the property of Xantrex.

Xantrex covers both parts and labor necessary to repair the product, and return shipment to the customer via a Xantrex-selected non-expedited surface freight within the contiguous United States and Canada. Alaska and Hawaii are excluded. Contact Xantrex Customer Service for details on freight policy for return shipments outside of the contiguous United States and Canada.

How do you get service? If your product requires troubleshooting or warranty service, contact your merchant. If you are unable to contact your merchant, or the merchant is unable to provide service, contact Xantrex directly at:

Telephone: 1 800 670 0707 (toll free North America)
1 360 925 5097 (direct)

Fax: 1 800 994 7828 (toll free North America)
1 360 925 5143 (direct)

Email: customerservice@xantrex.com

Direct returns may be performed according to the Xantrex Return Material Authorization Policy described in your product manual. For some products, Xantrex maintains a network of regional Authorized Service Centers. Call Xantrex or check our website to see if your product can be repaired at one of these facilities.

What proof of purchase is required? In any warranty claim, dated proof of purchase must accompany the product and the product must not have been disassembled or modified without prior written authorization by Xantrex.

Proof of purchase may be in any one of the following forms:

- The dated purchase receipt from the original purchase of the product at point of sale to the end user, or
- The dated dealer invoice or purchase receipt showing original equipment manufacturer (OEM) status, or
- The dated invoice or purchase receipt showing the product exchanged under warranty

What does this warranty not cover? This Limited Warranty does not cover normal wear and tear of the product or costs related to the removal, installation, or troubleshooting of the customer's electrical systems. This warranty does not apply to and Xantrex will not be responsible for any defect in or damage to:

- a) the product if it has been misused, neglected, improperly installed, physically damaged or altered, either internally or externally, or damaged from improper use or use in an unsuitable environment;
- b) the product if it has been subjected to fire, water, generalized corrosion, biological infestations, or input voltage that creates operating conditions beyond the maximum or minimum limits listed in the Xantrex product specifications including high input voltage from generators and lightning strikes;
- c) the product if repairs have been done to it other than by Xantrex or its authorized service centers (hereafter "ASCs");
- d) the product if it is used as a component part of a product expressly warranted by another manufacturer;
- e) the product if its original identification (trade-mark, serial number) markings have been defaced, altered, or removed.

Disclaimer

Product

THIS LIMITED WARRANTY IS THE SOLE AND EXCLUSIVE WARRANTY PROVIDED BY XANTREX IN CONNECTION WITH YOUR XANTREX PRODUCT AND IS, WHERE PERMITTED BY LAW, IN LIEU OF ALL OTHER WARRANTIES, CONDITIONS, GUARANTEES, REPRESENTATIONS, OBLIGATIONS AND LIABILITIES, EXPRESS OR IMPLIED, STATUTORY OR OTHERWISE IN CONNECTION WITH THE PRODUCT, HOWEVER ARISING (WHETHER BY CONTRACT, TORT, NEGLIGENCE, PRINCIPLES OF MANUFACTURER'S LIABILITY, OPERATION OF LAW, CONDUCT, STATEMENT OR OTHERWISE), INCLUDING WITHOUT RESTRICTION ANY IMPLIED WARRANTY OR CONDITION OF QUALITY, MERCHANTABILITY OR FITNESS FOR A PARTICULAR PURPOSE. ANY IMPLIED WARRANTY OF MERCHANTABILITY OR FITNESS FOR A PARTICULAR PURPOSE TO THE EXTENT REQUIRED UNDER APPLICABLE LAW TO APPLY TO THE PRODUCT SHALL BE LIMITED IN DURATION TO THE PERIOD STIPULATED UNDER THIS LIMITED WARRANTY.

IN NO EVENT WILL XANTREX BE LIABLE FOR ANY SPECIAL, INDIRECT, INCIDENTAL OR CONSEQUENTIAL DAMAGES, LOSSES, COSTS OR EXPENSES HOWEVER ARISING WHETHER IN CONTRACT OR TORT INCLUDING WITHOUT RESTRICTION ANY ECONOMIC LOSSES OF ANY KIND, ANY LOSS OR DAMAGE TO PROPERTY, ANY PERSONAL INJURY, ANY DAMAGE OR INJURY ARISING FROM OR AS A RESULT OF MISUSE OR ABUSE, OR THE INCORRECT INSTALLATION, INTEGRATION OR OPERATION OF THE PRODUCT.

Exclusions

If this product is a consumer product, federal law does not allow an exclusion of implied warranties. To the extent you are entitled to implied warranties under federal law, to the extent permitted by applicable law they are limited to the duration of this Limited Warranty. Some states and provinces do not allow limitations or exclusions on implied warranties or on the duration of an implied warranty or on the limitation or exclusion of incidental or consequential damages, so the above limitation(s) or exclusion(s) may not apply to you. This Limited Warranty gives you specific legal rights. You may have other rights which may vary from state to state or province to province.

Return Material Authorization Policy

Before returning a product directly to Xantrex you must obtain a Return Material Authorization (RMA) number and the correct factory "Ship To" address. Products must also be shipped prepaid. Product shipments will be refused and returned at your expense if they are unauthorized, returned without an RMA number clearly marked on the outside of the shipping box, if they are shipped collect, or if they are shipped to the wrong location.

When you contact Xantrex to obtain service, please have your instruction manual ready for reference and be prepared to supply:

- The serial number of your product
- Information about the installation and use of the unit
- Information about the failure and/or reason for the return
- A copy of your dated proof of purchase

Record these details on page WA-4.

Return Procedure

1. Package the unit safely, preferably using the original box and packing materials. Please ensure that your product is shipped fully insured in the original packaging or equivalent. This warranty will not apply where the product is damaged due to improper packaging.
2. Include the following:
 - The RMA number supplied by Xantrex Technology Inc. clearly marked on the outside of the box.
 - A return address where the unit can be shipped. Post office boxes are not acceptable.
 - A contact telephone number where you can be reached during work hours.
 - A brief description of the problem.
3. Ship the unit prepaid to the address provided by your Xantrex customer service representative.

If you are returning a product from outside of the USA or Canada In addition to the above, you **MUST** include return freight funds and are fully responsible for all documents, duties, tariffs, and deposits.

If you are returning a product to a Xantrex Authorized Service Center (ASC) A Xantrex return material authorization (RMA) number is not required. However, you must contact the ASC prior to returning the product or presenting the unit to verify any return procedures that may apply to that particular facility and that the ASC repairs this particular Xantrex product.

Out of Warranty Service

If the warranty period for your Solar Charge Controller has expired, if the unit was damaged by misuse or incorrect installation, if other conditions of the warranty have not been met, or if no dated proof of purchase is available, your unit may be serviced or replaced for a flat fee.

To return your Solar Charge Controller for out of warranty service, contact Xantrex Customer Service for a Return Material Authorization (RMA) number and follow the other steps outlined in "Return Procedure" on page WA-3.

Payment options such as credit card or money order will be explained by the Customer Service Representative. In cases where the minimum flat fee does not apply, as with incomplete units or units with excessive damage, an additional fee will be charged. If applicable, you will be contacted by Customer Service once your unit has been received.

Information About Your System

As soon as you open your Solar Charge Controller package, record the following information and be sure to keep your proof of purchase.

- ρ Product Number 865-1030
- ρ Serial Number _____
- ρ Purchased From _____
- ρ Purchase Date _____

If you need to contact Customer Service, please record the following details before calling. This information will help our representatives give you better service.

- ρ Length of time product has been installed _____
 - ρ Battery/battery bank size _____
 - ρ DC wiring size and length _____
 - ρ Warning, Error or Panel Fault Message _____
 - ρ Appliances operating when problem occurred _____
 - ρ Description of problem _____
- _____
- _____

Index

A

- absorption charging stage 1–5
- advanced menus 3–3
- alarms using auxiliary output 1–8
- auxiliary output functions 1–8
- auxiliary output menu 3–12

B

- basic menus 3–3
- battery equalization 4–13
- battery menu 3–5
- battery safety information v
- battery temperature compensation 1–7, 3–10
- bulk charging stage 1–4

C

- charge stages 1–4, 4–5
- communication between multiple inverters 2–17
- communications cabling
 - standard CAT 5 wiring 2–18
- current rating 2–9
- custom battery menu 3–8
- Customer Service
 - preparing to call WA–4

D

- daily logs 4–11
- default settings, resetting to 3–20, B–8
- device menu 3–18
- display menu 3–16
- down arrow button 3–2, B–2

E

- enter button 3–2, B–2
- equalization
 - definition 1–7
 - manual 4–14
 - recommended frequency 4–13
- exit button 3–2, B–2

F

- faults and warnings menu 4–8

- float charging stage 1–5

G

- ground fault protection fuse
 - replacing 5–3
- grounding 2–8

H

- history menu 4–11

I

- information about your system form WA–4
- input menu 3–11

K

- knockouts
 - locations and dimensions 2–6
 - removing 2–5

L

- LCD operating screens 4–2
- load control 1–8
- logged operating data 4–11

M

- menu maps 3–4, B–8, B–9
- menus, basic and advanced formats 3–3
- meters screen B–11
- monthly logs 4–11
- multiple inverters
 - communication between 2–17

P

- parallel configuration
 - communication between inverters 2–17
- proof of purchase WA–4
- purchase date WA–4

R

- reset menu 3–20
- restore default settings B–8

S

- safety instructions v
- serial number WA-4
- silent float charging stage 1-6
- system control panel
 - buttons described B-2
 - changing settings B-5
 - charge controller home screen B-10
 - meters screen B-11
 - select device menu B-4, B-5
 - startup screen B-4
 - system home screen B-4

T

- three-stage charging 1-4
- Troubleshooting 5-2
- two-stage charging 1-6

U

- up arrow button 3-2, B-2

V

- vent fan 1-8

W

- warranty
 - out of warranty service WA-3
 - terms and conditions WA-1
- wire size 2-9

X

- Xantrex
 - web site iv

Xantrex Technology Inc.

1 800 670 0707 Tel toll free NA
1 360 925 5097 Tel direct
1 800 994 7828 Fax toll free NA
1 360 925 5143 Fax direct
customerservice@xantrex.com
www.xantrex.com