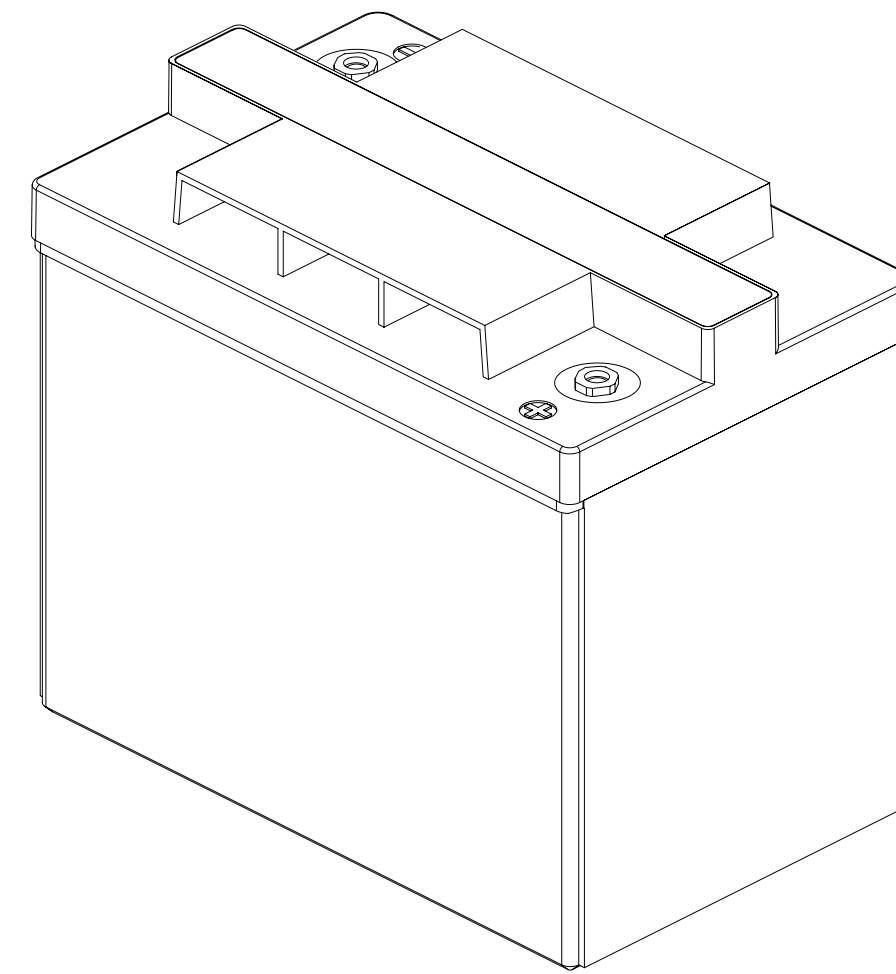
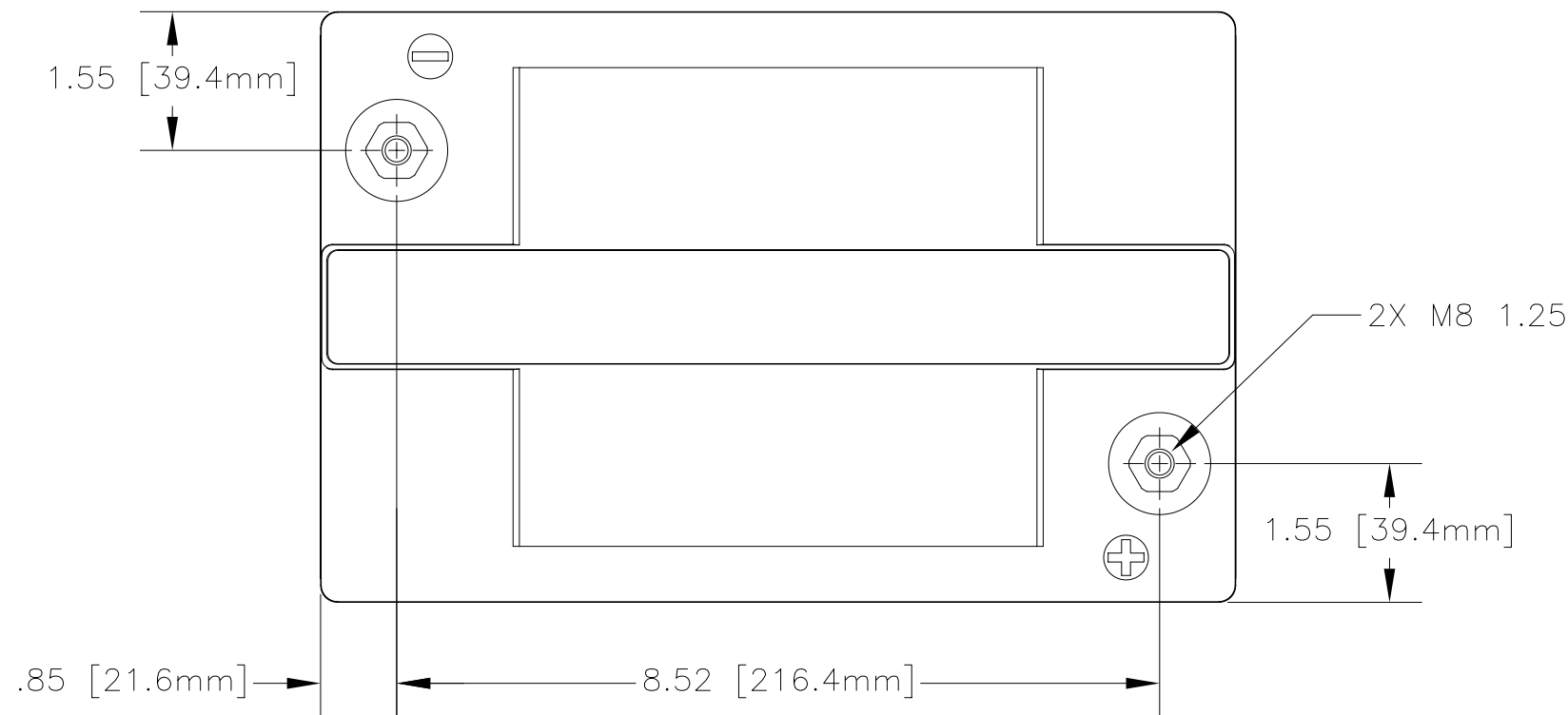


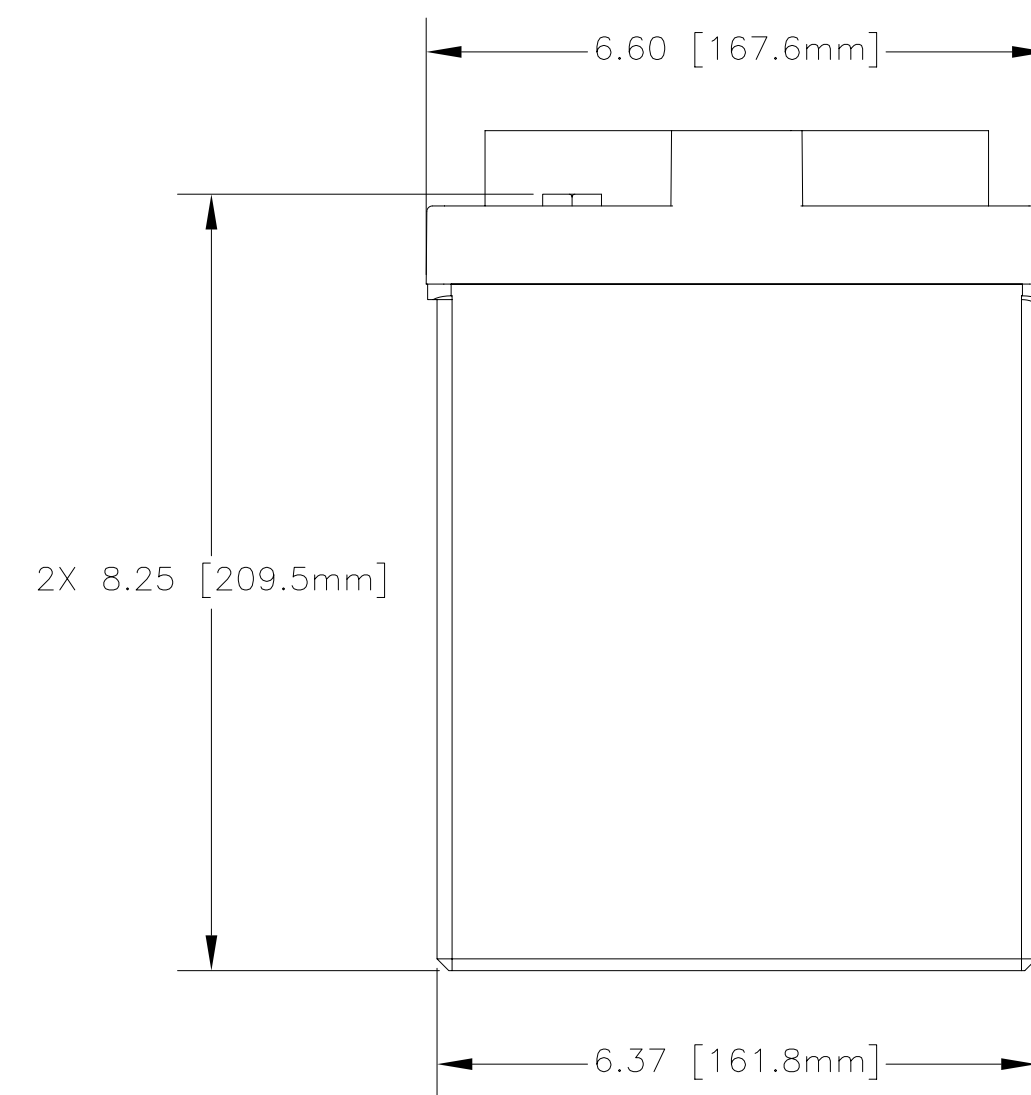
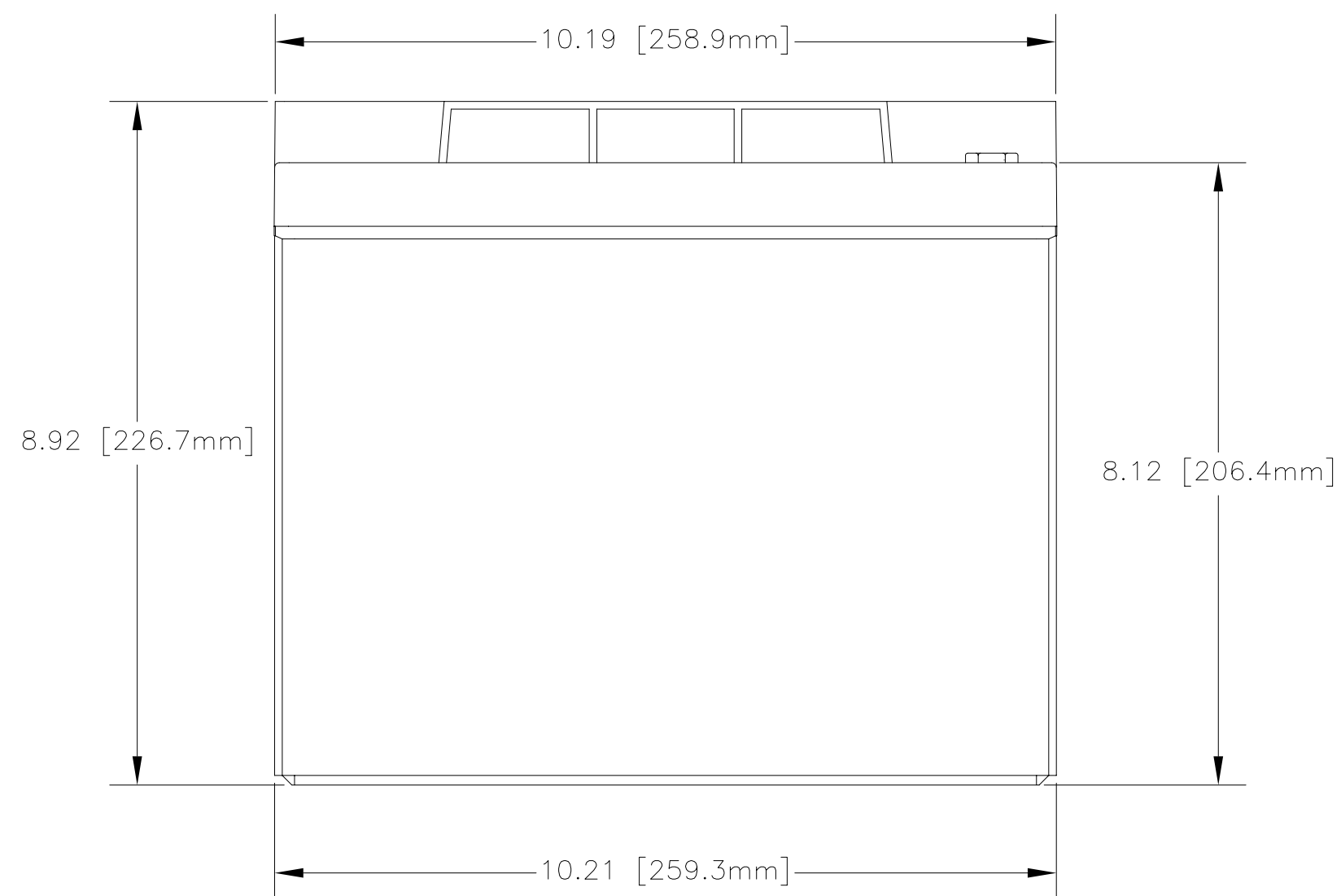
NOTES: UNLESS OTHERWISE SPECIFIED

1. SEE DRAWING NO. CB-00279 AND PROCEDURE P-1000 FOR ASSEMBLY AND TEST INSTRUCTION. PROCEDURES AND ASSEMBLY DRAWINGS ARE FOR INTERNAL USE ONLY.
2. ALL TESTING ARE IAW BATTERY COUNCIL INTERNATIONAL STANDARDS.
3. ALL DIMENSIONS ARE IN INCHES [MM].
4. ABBREVIATION USED IN TITLE IS: SEALED LEAD ACID (SLA).

REVISIONS			
REV	DESCRIPTION	DATE	APPROVED
A	REMOVED SIDE HOLD-DOWNS	6/10/03	JBT
B	REMOVED TERMINAL PROTECTORS	8/30/06	JBT



REFERENCE VIEW



ENVELOPE DRAWING

CAPACITY RATINGS		
PART NUMBER	PVX-1380T	PVX-1680T
NOMINAL WEIGHT	51 LBS [23.2 KG]	57 LBS [25.9 KG]
AMPERE HOUR CAPACITY @ 24 HOUR 1.75 VOLTS/CELL @ 77°F (25°C)	138 AH	168 AH

QTY REQD	CAGE CODE	PART OR IDENTIFYING NO.	NOMENCLATURE OR DESCRIPTION	MATERIAL SPECIFICATION	ITEM NO.	
PARTS LIST						
UNLESS OTHERWISE SPECIFIED DIMENSIONS ARE IN INCHES. TOLERANCES ARE:		CONTRACT NO. NA		CONCORDE BATTERY CORPORATION 2009 SAN BERNARDINO RD, W. COVINA, CA 91790		
FRACTIONS ± 1/32	DECIMALS .XX ± .06 .XXX ± .030	ANGLES ± 1°	APPROVALS	DATE	TITLE	
			ELH	8/13/01	BATTERY, SLA, 6 VOLT, PVX-1680T SERIES	
TREATMENT NONE		CHECKED	HRF	8/21/01	SIZE	
FINISH NONE		APPROVED	JBT	8/23/01	CAGE CODE	
SIMILAR TO NA		ACT WT NA	CALC WT NA	ISSUED	NS	9/5/06
		DWG NO. PVX-1680T		REV B		
SCALE NONE				SHEET 1 OF 1		

ENGINEERING COPY 05SEP06