



**Ground & Roof Mounts
Application and Price Sheet**

2007

UNI-GR



UNI-GR/02 (Single Column)

UNI-GR/06H (Portrait Mode)

Phone: (707) 459-9523
Fax: (707) 459-1833

Two Seas Metalworks
291 Shell Ln.
Willits, CA
95490

Model	Retail (USD)	Panel Support Length (IN)	Est. Weight (LBS)	ASE	GE Energy GEVP			BP Solar SX				Evergreen EC	Kyocera KC	Matrix PW			Sharp Solar ND			Sanyo	Shell SQ		Sunwize SW	Mitsubishi PV-MF			
					30	65	50	340	350	3150	380	3170	180	40	158G	200	185	190	85	175	95	175	90	120	175		
				270	70	100		365	485	3125	4175	200	130	187G	500	750	1000	80	123	140	165	167	80	165	85	115	165

Ground/Roof (Single Column)

UNI-GR/01	82.00	25	5	-	-	-	-	1	1	-	-	-	-	-	1	1	-	1	-	-	-	-	1	-	1	-	-
UNI-GR/01A	85.00	27	5	-	1	1	-	-	-	1	-	-	1	-	-	-	1	-	1	-	-	-	-	-	-	1	-
UNI-GR/02	125.00	45	7	-	2	-	1	2	2	-	1	1	-	1	2	2	-	2	-	1	1	1	2	1	-	-	1
UNI-GR/02A	145.00	55	9	1	-	2	-	-	-	2	-	-	2	-	-	-	2	-	2	-	-	-	-	-	2	2	-
UNI-GR/03	274.00	70	18	-	3	-	-	3	3	-	2	-	-	-	3	3	-	3	-	-	2	2	3	2	3	-	2
UNI-GR/04	295.00	90	25	-	4	3	2	4	4	3	-	2	3	2	4	4	3	4	3	2	-	-	4	-	-	3	-
UNI-GR/04A	336.00	110	29	2	-	4	-	5	-	4	3	-	4	-	5	-	4	5	4	-	3	3	5	3	4	4	3
UNI-GR/05	360.00	115	31	-	5	-	-	-	5	-	-	-	-	3	-	-	-	-	-	-	-	-	-	-	-	-	-

Low Profile Ground/Roof (Single Row in Portrait Mode)

UNI-GR/04H	295.00	90	25	-	4	3	2	4	4	3	2	-	3	2	4	4	3	4	-	-	-	-	4	2	3	3	-
UNI-GR/04AH	365.00	110	25	2	5	4	-	5	5	4	3	-	4	-	5	-	4	5	-	-	-	3	5	3	4	4	3
UNI-GR/06H	419.00	140	37	-	6	5	3	7	6	5	4	-	5	3	7	6	5	6	-	-	-	-	6	4	6	5	4
UNI-GR/06AH	432.00	160	38	3	7	6	4	8	7	6	5	-	6	4	8	-	6	7	-	-	-	4	7	-	-	6	-
UNI-GR/08H	493.00	180	52	-	8	-	-	9	8	-	-	-	-	-	9	8	-	8	-	-	-	5	8	-	7	-	5
UNI-GR/10H	619.00	225	59	4	10	8	5	11	10	8	7	-	8	5	11	10	8	10	-	-	-	6	10	-	-	8	7
UNI-GR/12H	708.00	270	76	5	12	10	7	13	12	-	8	-	10	6	13	12	-	12	-	-	-	7	12	8	11	10	8
UNI-GR/14H	931.00	325	88	6	15	12	8	16	15	12	10	-	12	8	16	13	12	15	-	-	-	9	15	10	14	12	10

1. Please specify the make, model, and number of the solar modules you are mounting when ordering. Some applications may require additional module kits than are supplied with the standard mount. Extra kits are \$3.00 ea.

2. Call factory for quantity discounts.

3. Intertie kits for Multi Tier mount systems are \$28.95 ea.

4. All products on this page can ship via UPS.

5. While Two Seas makes every effort to keep our application and pricing data up to date, this sheet is for reference ONLY. Two Seas Metalworks is not responsible for pricing, typographical, or other errors and may cancel any orders resulting from such errors. Please contact us to verify pricing and application data. Prices and specifications subject to change without notice.



**Side & Top of Pole Mounts
Application and Price Sheet**

2007



Phone: (707) 459-9523
Fax: (707) 459-1833

Two Seas Metalworks
291 Shell Ln.
Willits, CA
95490

UNI-SP/02

UNI-TP/10LL (Double Tier)

UNI-SP&TP

Model	Retail (USD)	Panel Support Length (IN)	Est. Weight (LBS)	ASE	GE Energy			BP Solar			Evergreen	Kyocera		Matrix			Sharp Solar			Sanyo	Shell		Sunwise	Mitsubishi					
				270	GEPV			SX			EC	KC		PW			ND			167	SQ		SW		165				
					300	30	65	70	100	85	110	165	340	3150	350	3160	180	60	158G		200	750	1000	80		123	140	165	185

Side of Pole. * - Requires a 2 inch pole. ** - Requires a 3 inch pole. *** - Requires a 4 inch pole.

UNI-SP/01*	101.00	25	7	-	1	-	-	1	1	-	-	-	-	1	-	-	1	-	-	-	1	-	-	-	-
UNI-SP/01A*	105.00	27	8	-	-	1	-	-	-	-	-	-	1	-	-	-	-	-	-	-	-	-	-	-	-
UNI-SP/01X*	116.00	27	14	-	-	-	-	-	1	-	-	-	-	1	1	-	-	-	-	-	-	-	1	1	-
UNI-SP/01XX*	237.00	30	16	-	-	-	-	-	-	-	-	-	-	-	-	-	-	-	-	-	-	-	-	-	-
UNI-SP/02*	218.00	45	17	-	2	-	1	2	2	-	-	-	-	2	-	-	2	-	-	-	1	2	1	-	1
UNI-SP/02A**	220.00	55	18	-	-	2	-	-	-	-	-	-	-	-	-	-	-	-	-	-	-	-	-	-	-
UNI-SP/02X**	263.00	55	28	-	-	-	-	-	2	-	1	2	1	-	2	2	-	-	1	-	-	-	2	2	-
UNI-SP/03***	280.00	70	30	-	3	-	-	3	3	-	-	-	-	3	-	-	3	-	-	2	-	3	2	-	2

Top of Pole-Single Tier. All single tier top of pole mounts require a 4 inch pole, except the UNI-TP/01 which is usable on a 2 inch pole.

UNI-TP/01	105.00	25	7	-	-	-	-	1	1	-	-	-	-	1	1	-	1	-	-	-	1	-	-	-	-
UNI-TP/02	310.00	45	29	-	-	1	1	2	2	-	1	1	1	2	2	-	2	-	1	1	1	2	1	-	1
UNI-TP/02A	320.00	55	29	-	2	2	-	-	2	-	-	-	-	-	2	-	2	-	2	-	-	-	2	2	-
UNI-TP/03	344.00	70	33	1	-	-	-	3	3	-	2	-	-	3	3	-	3	-	-	2	-	3	2	-	2
UNI-TP/04	395.00	90	37	-	3	3	2	4	4	3	-	2	3	2	4	4	3	4	3	2	-	2	4	-	3
UNI-TP/04A	440.00	110	37	2	4	4	-	5	-	4	3	-	4	-	-	4	-	4	-	3	3	-	3	4	3

Top of Pole-Double Tier. All double tier top of pole mounts require a 6 inch pole.

UNI-TP/06	712.00	70	92	-	-	-	-	6	6	-	-	-	-	6	-	-	6	-	-	-	-	6	-	-	-	4
UNI-TP/06LL	742.00	70	120	-	-	-	-	-	-	4	-	-	-	6	-	-	-	-	-	4	-	-	4	-	-	-
UNI-TP/08	780.00	90	98	-	6	-	-	8	8	-	-	-	-	8	-	-	8	-	-	-	4	8	-	-	-	
UNI-TP/08LL	829.00	90	125	-	-	6	4	-	-	6	-	4	6	4	-	6	4	-	-	-	-	-	-	-	6	
UNI-TP/10	871.00	115	110	2	8	-	-	10	10	-	-	-	-	10	-	-	10	-	-	-	6	10	-	-	-	6
UNI-TP/10LL	1150.00	115	154	-	-	8	-	-	-	8	6	-	8	-	-	10	8	-	8	-	6	-	-	6	-	8
UNI-TP/12	1178.00	140	177	-	10	-	-	12	12	-	-	-	-	12	-	-	12	-	-	-	-	12	-	-	-	8
UNI-TP/12LL	1195.00	140	195	-	-	10	-	-	-	10	8	6	10	-	-	12	10	-	10	-	8	-	-	8	-	10

1. Please specify the make, model, and number of the solar modules you are mounting when ordering. Some applications may require additional module kits than are supplied with the standard mount. Extra kits are \$3.00 ea.

2. Call factory for quantity discounts.

3. All products on this page can ship via UPS.

4. While Two Seas makes every effort to keep our application and pricing data up to date, this sheet is for reference ONLY. Two Seas Metalworks is not responsible for pricing, typographical, or other errors and may cancel any orders resulting from such errors. Please contact us to verify pricing and application data. Prices and specifications subject to change without notice.



Single Arm Side of Pole Mount Application and Price Sheet

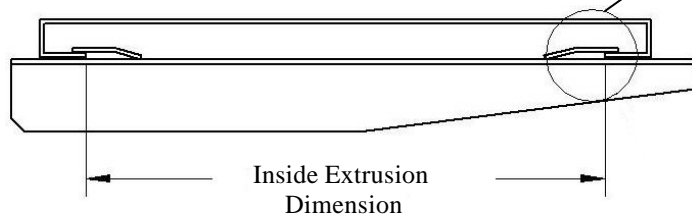
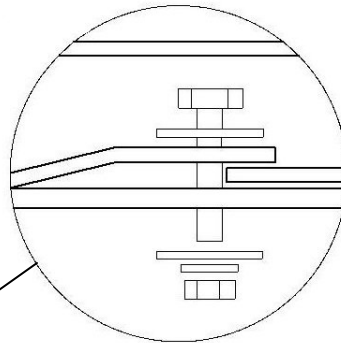
2007



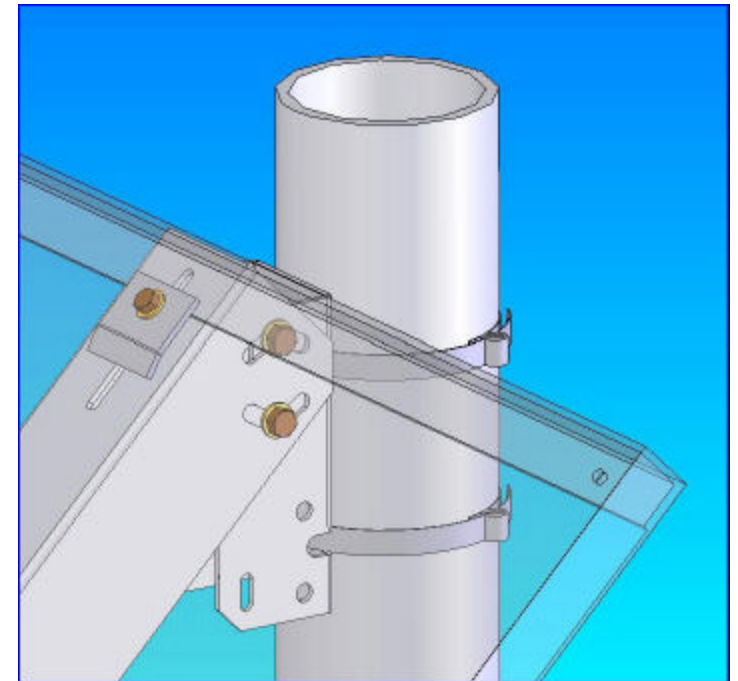
Phone: (707) 459-9523
 Fax: (707) 459-1833

Two Seas Metalworks
 291 Shell Ln.
 Willits, CA
 95490

MODEL	Retail Price (\$)	Panel Support Length (in.)	Est Ship Wt.
<i>Single Arm Style SOP Mounts</i>			
UNI-SA/13.0	57.00	13.00	3 lbs
UNI-SA/21.5	65.00	21.50	5 lbs



Our unique module clamp and slot combination eliminates the need for bolt holes in the panel and allows use for a wider selection of solar panels.



Measure your panel's dimension as shown *inside* the extrusion. If this dimension is between 5.26" and 11.60" use the **UNI-SA/13.0**. If this dimension is between 12.66" and 20.10" use the **UNI-SA/21.5**.

1. Prices and specifications subject to change without notice.
2. Please specify make and model of module when ordering.



Flush Mount Roof System - GPS Application and Price Sheet

2007

GPS



Phone: (707) 459-9523
Fax: (707) 459-1833

Two Seas Metalworks
291 Shell Ln.
Willits, CA
95490

Model	Retail (USD)	Panel Support Length (IN)	Est. Weight (LBS)	ASE	GE Energy			BP Solar			Evergreen	Kyocera		Matrix			Sharp Solar				Sanyo	Shell		Sunwize		Mitsubishi					
				270	30	65	50	100	165	365	340	3150	350	3160	170	40	158G	200	750	1000	80	123	140	165	185	190	85	175	90	120	175
				300	85	110	165	365	485	3125	4175	200	130	187G	500	750	1000	80	123	140	165	167	175	180	85	175	80	165	85	115	165

GPS-048	124.00	48	6	-	2	-	-	2	2	-	-	1	-	-	2	-	-	2	-	-	-	-	2	-	-	-	-	-	-	-	-
GPS-060	136.00	60	7	1	-	2	-	-	-	-	-	-	2	-	3	2	2	-	2	-	-	-	-	-	-	-	2	2	-	-	
GPS-072	148.00	72	9	-	3	-	-	3	3	2	2	-	-	-	-	3	-	3	-	-	2	-	3	2	3	-	2	-	-	2	
GPS-084	163.00	84	10	-	-	3	2	-	-	-	-	2	3	2	4	-	-	-	3	2	-	2	-	-	-	-	3	-	-	-	
GPS-096	184.00	96	11	-	4	-	-	4	4	3	-	-	-	-	5	4	3	4	-	-	-	-	4	-	4	-	-	-	-	-	
GPS-108	229.00	108	12	2	-	-	-	5	-	-	3	-	4	-	-	-	-	4	-	3	-	-	3	-	4	-	4	-	3	3	
GPS-120	245.00	120	14	-	5	4	-	-	5	4	-	3	-	-	6	5	4	5	-	-	-	3	5	-	5	-	-	-	-	-	
GPS-132	258.00	132	16	-	-	-	3	6	6	-	4	-	-	3	-	-	-	6	-	3	-	-	6	-	-	5	-	-	-	-	
GPS-144	272.00	144	18	-	6	5	-	-	-	5	-	-	5	-	7	6	5	-	5	-	4	-	-	4	6	-	4	-	-	4	
GPS-156	287.00	156	20	-	7	-	4	7	7	-	-	4	-	-	8	-	-	7	-	-	-	4	7	-	-	6	-	-	-	-	
GPS-168	304.00	168	21	3	-	6	-	8	-	6	5	-	6	4	-	7	6	-	6	4	5	-	-	5	7	-	5	-	-	5	
GPS-180	317.00	180	22	-	8	-	-	-	8	-	-	-	-	-	9	-	-	8	-	-	-	5	8	-	-	-	-	-	-	-	
GPS-192	332.00	192	25	-	-	7	-	9	-	-	6	5	7	-	10	8	-	-	7	-	-	-	-	-	8	7	-	-	-	-	
GPS-204	358.00	204	28	-	9	-	5	-	9	7	-	-	-	5	11	-	7	9	-	5	6	-	9	6	-	-	-	-	-	6	
GPS-240	495.00	240	33	4	11	9	6	11	11	8	7	6	9	6	12	10	8	11	9	5	7	6	11	7	10	9	7	-	-	7	
GPS-336	592.00	336	45	6	15	12	8	16	15	12	10	8	12	8	18	14	12	15	12	8	10	9	15	10	14	12	14	12	10	10	

1. Please specify the make, model, and number of the solar modules you are mounting when ordering. Some applications may require additional module kits than are supplied with the standard mount. Extra kits are \$3.00 ea.

2. Call factory for quantity discounts.

3. All products on this page can ship via UPS.

4. While Two Seas makes every effort to keep our application and pricing data up to date, this sheet is for reference ONLY. Two Seas Metalworks is not responsible for pricing, typographical, or other errors and may cancel any orders resulting from such errors. Please contact us to verify pricing and application data. Prices and specifications subject to change without notice.

5. All GPS mounts can be linked together in varying combinations to achieve the length needed, ie: Add a GPS-120 to a GPS-180 to get 300 inches of panel support length. Order a GPS splice kit (P/N: 51-4000-080) at \$8.00 EA.

