

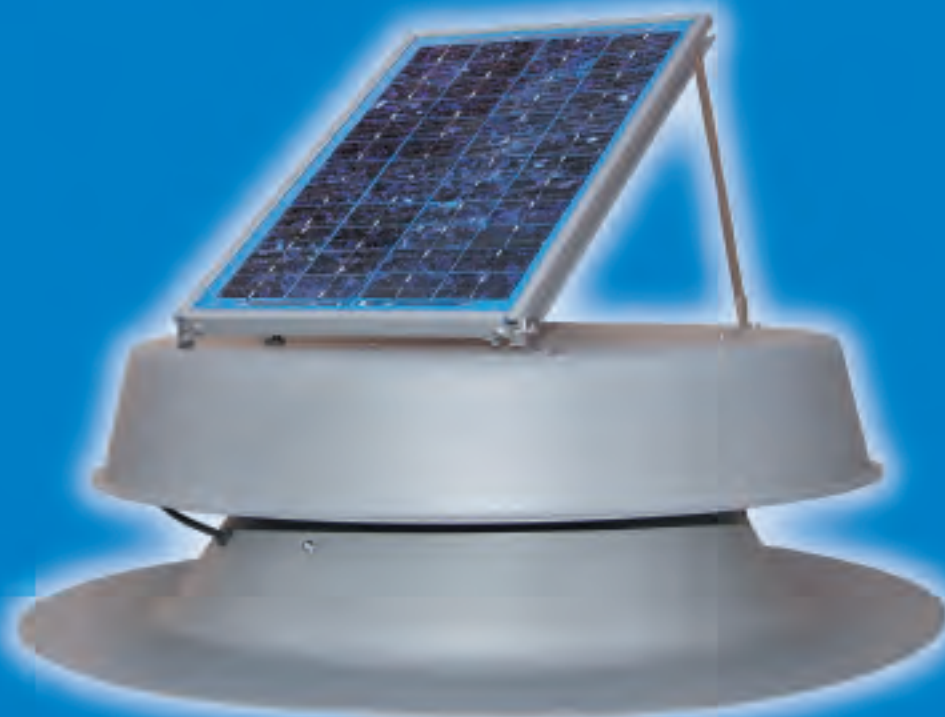
NATURAL LIGHT SOLAR ATTIC FAN

The Environmentally Sensible Solution that can SAVE you Money!



SOLAR GABLE FAN
10 or 20 watt units available

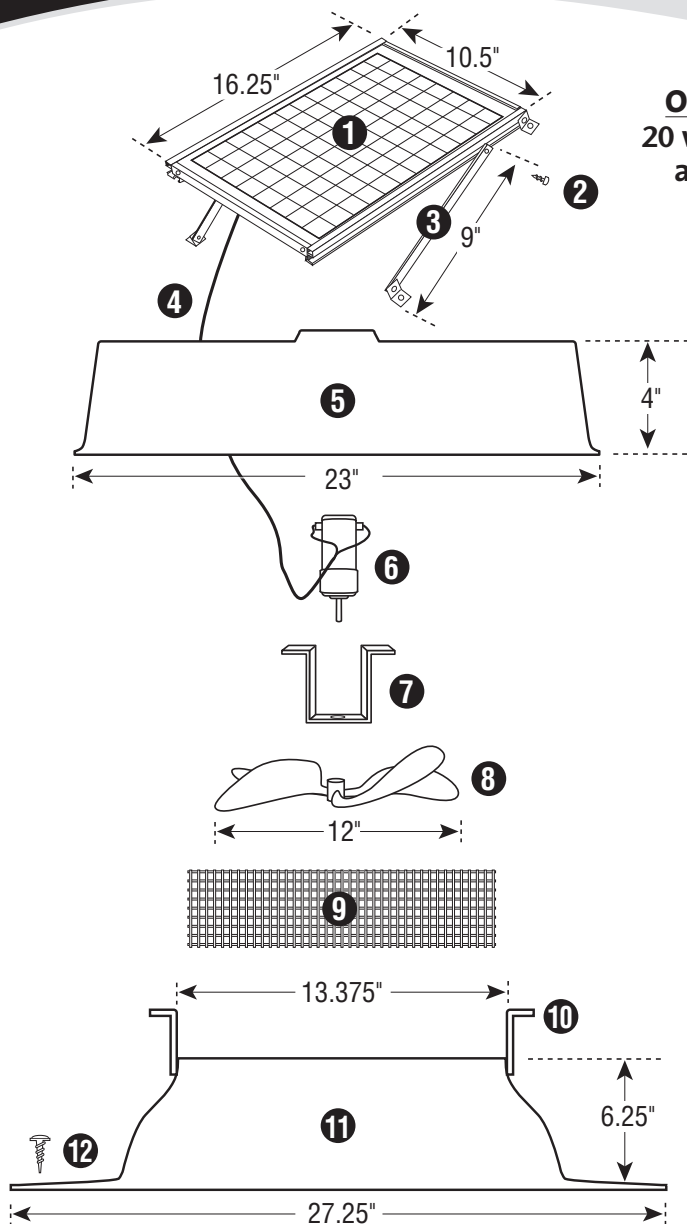
Attic venting is an important aspect in maintaining a healthy energy efficient home. Proper venting cools your roof extending the material life and reduces the load on your air conditioning system. Attic venting also increases fresh air circulation. Powered completely by free solar energy, this sleek and efficient vent is both compact and quiet. Fully operational right from the box, it installs easily, with no electrical wiring. And let's not forget powerful! Operating up to 850 cfm, a single 10 watt unit can fully vent up to 1200 square feet.



BEST INDUSTRY WARRANTY:
25 YEARS ON THE HOUSING,
SOLAR PANEL AND MOTOR

Solar Attic Fan

Technical Specifications



OPTIONAL
20 watt panel
available

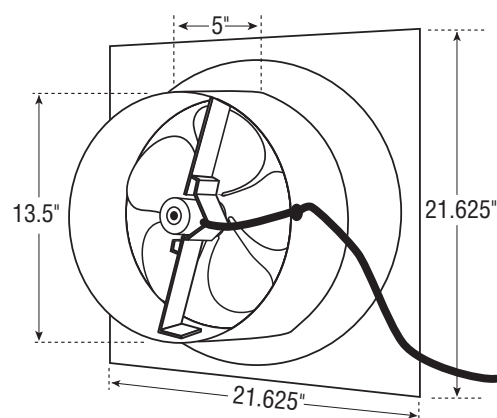
SOLAR ATTIC FAN

NOTE: Exploded view of Solar Attic Fan is for illustrative purposes only. Unit comes fully assembled.

1. Custom Solar Panel
2. (2) #8 x 1" Self-Tapping Screws
3. Adjustable Solar Panel Bracket
4. Wire Lead
5. 1100 Series, .080" Thickness, Aircraft Grade Aluminum Shroud
6. Custom DC Motor
7. Motor Isolation Bracket
8. Air Drive Precision Pitch Blade
9. 4" x 48" Stainless Steel Wire Mesh
10. Rugged 14 Gauge Shroud Support Bracket
11. 1100 Series, .080" Thickness, Aircraft Grade Aluminum Flashing
12. (6) #6 x 1 1/2" Stainless Steel Phillips Head Screws

OPTIONAL ACCESSORY: Thermal Snap Switch available to automatically turn off unit during colder months.

SOLAR GABLE FAN



VENTING CAPACITY

- 10 watt unit - up to 1,200 sq. ft.
- 20 watt unit - up to 2,000 sq. ft.

OPERATING CFMs

- 10 watt unit - up to 850 CFMs
- 20 watt unit - up to 1,275 CFMs

